

SHOW PRO INDUSTRIES

P.O. Box 1235 (Hwy. 51 N.), Springtown, TX 76082 / (817)523-4055 / (817)220-5117 fax

Show Pro Industries would like to thank you for purchasing a Pro Cutter. Every effort has been taken to provide you with a quality product that is designed to provide years of trouble-free service.

Pro Cutter 1503PL with cow Performance Package Upgrade



Packing List:

- electronic control box
- digital remote control w/ Stepper Technology
- FLEX cow*
- slide tubes with snaps
- kevlar cable
- tech line
- cable tensioner
- mounting bracket
- installation instructions

**A black and white banner can be added that will interchange with the cow.*

INSTALLATION INSTRUCTIONS

- 1. Mount control box:** Securely attach control box to either side of arena. Bottom of control box should be mounted approximately 45 inches from ground.

(Refer to enclosed mounting bracket instructions to install bracket.)
- 2. Mount cable tensioner:** Mount cable tensioner on opposite side of arena approximately 45 inches from ground. An included bracket allows mounting to either a flat panel or post.
- 3. Install Kevlar cable:** Have an assistant hold cable in center of arena. Locate the cable end NOT tied to slide tube. As assistant feeds off line, move towards off-side pulley, around pulley, through free sliding single snap slide tube, to control box, around both pulleys on bottom of control box, then back to center of arena. Remove as much slack as possible and tie off to end of double snap slide tube. Keep in mind that the objective is to form a loop with the cable. The slide tube with two snaps supports the cow's head, and the tube with one snap supports the cow's shoulder.
- 4. Install "TECH" line:** The tech line is static and supports the cow's hip. Tie one end of tech line to fence 2-3 inches "behind" closest pulley on bottom of control box. After removing slack, tie to fence on opposite side of arena 2-3 inches behind off-side pulley. Installing tech line close to shoulder line causes the cow to travel flat, stop flat, and turn around smoothly.
- 5. Apply power:** Plug Pro Cutter into grounded 120VAC, 3-prong outlet. Always unplug unit when not in use. **EURO MODELS:
240VAC/50Hz*
- 6. Attach cow:** Following the included drawing, attach cow to slide tubes on kevlar cable and tech line.
- 7. Make initial settings on control box.** Your new Pro Cutter 1503 can be customized to suit your riding style and ability. We encourage you to experiment with the various controls before introducing your horse. The following common settings will allow you to get started most productively:

- **Speed 1 = 15 (left speed dial on control box)**
- **Speed 2 = 45 (right speed dial on control box)**
- **Rate = 20**
- **Brake = ON**

8. **Remote control power:** Press POWER switch located on right-side of remote control pouch.

(See Performance Package Instructions on page 7.)

ADDITIONAL FEATURES:

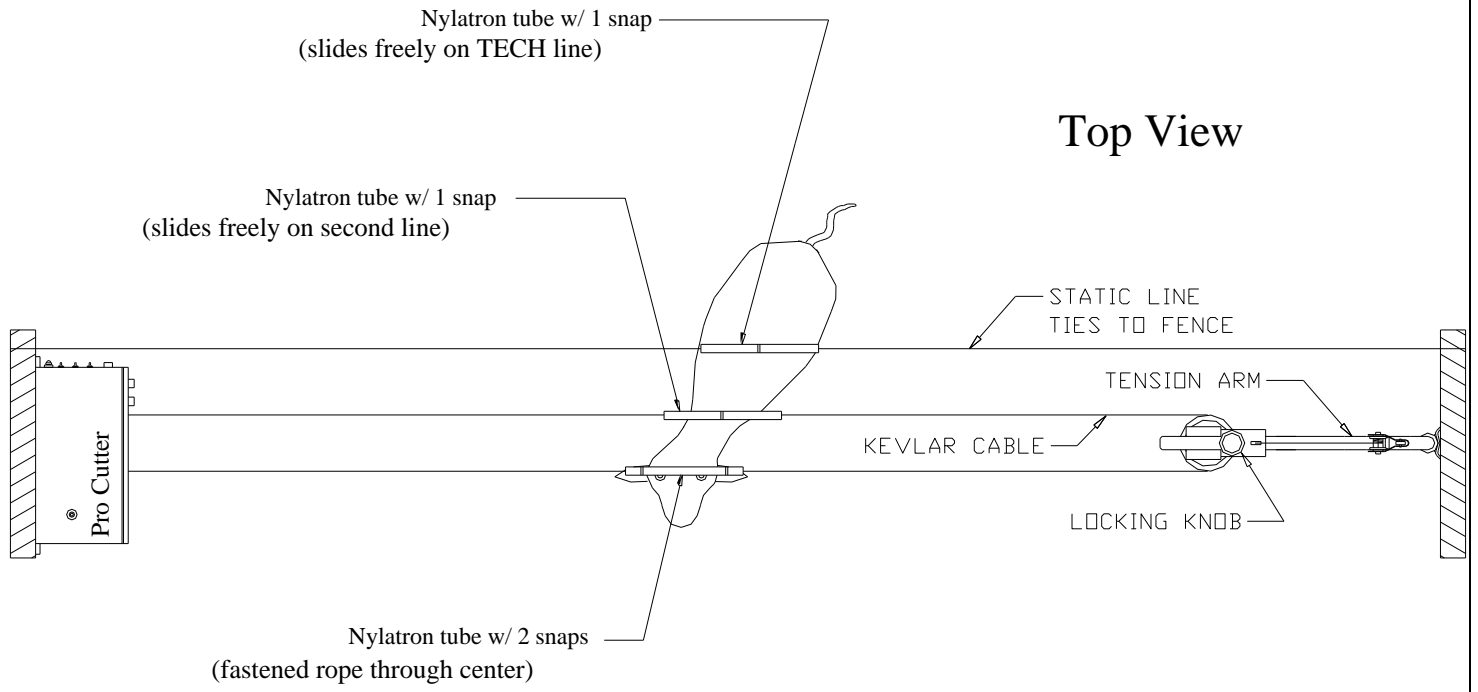
- * Programmed limits to prevent overruns and crashes
- * Single-play automatic program
- * Soft-shift: eliminates hesitation when shifting from Speed 1 to Speed 2
- * Soft-start acceleration: Graduated acceleration in 1st and 2nd speeds.
- * Variable acceleration rates: promote draw and collection
- * Superior radio system: Better range, less interference.
- * Large drive system: Heavy-duty industrial components
- * Weather-tight NEMA enclosure

Thank you for choosing.....

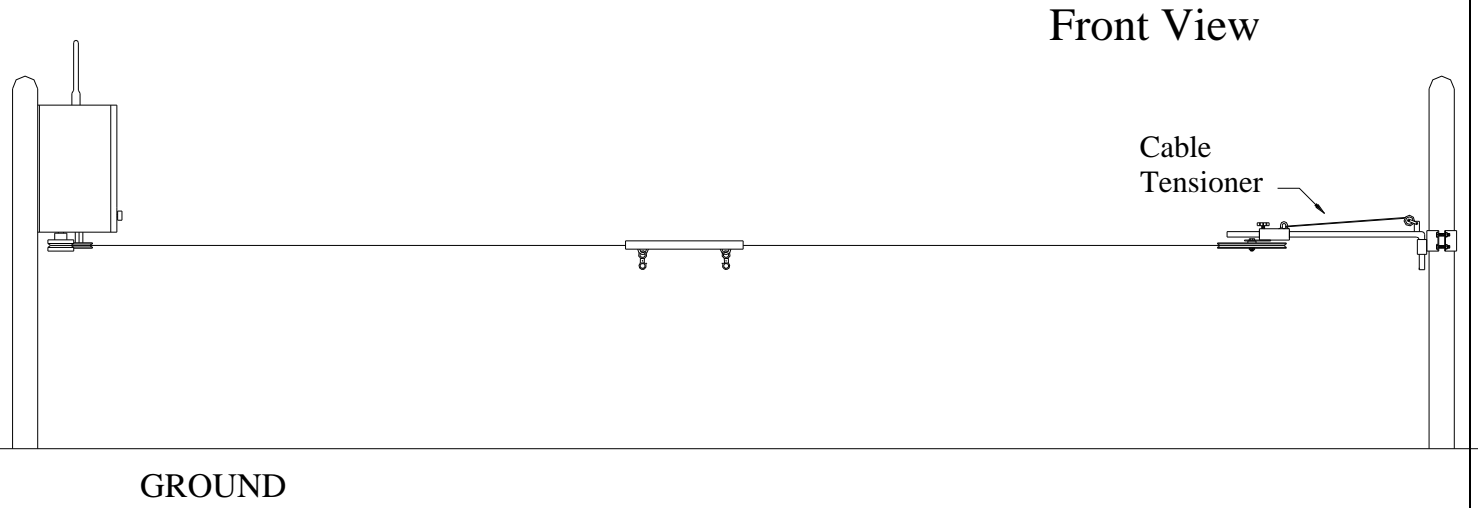
SHOW PRO INDUSTRIES

P.O. Box 1235 (Hwy. 51 N.), Springtown, TX 76082 / (817)523-4055 / (817)220-5117 fax
email: showpro@flash.net / www.procutter.com

Pro Cutter Cow models with optional Cable Tensioner



Top View



Front View

OPERATING INSTRUCTIONS:

Following is a brief description of the various switches and dials:

1. **POWER:** Flip POWER switch ON to energize control box. Red POWER light will illuminate. The unit requires 5 seconds to initialize. Avoid pressing any control buttons while unit initializes.
2. **MANUAL:** Operate control box left, right, and change speeds.
3. **LOGIC:** Switch reverses the direction the flag travels.

Example: After the Pro Cutter is installed, attach remote control to your wrist (wrist watch position) and button assembly on index finger. Press left switch with your thumb. If flag travels left, you're ready to go. However, if flag travels right, toggle LOGIC switch. This will cause the flag to travel left as you press left switch – and right as you press right switch.

4. **FUSE:** Power surges, faulty cord, or defective components may cause a fuse to blow. When this happens, remove fuse and replace using **only 4 amp/250 volt AGC fuse**, or permanent damage may result.

NOTE: power indicator light will not illuminate when fuse is bad.

5. **BRAKE:** If the brake is “On”, the flag will stop instantly when you release the switch on the remote control. If the brake is “Off”, the flag will coast 12" to 14" before coming to a complete stop.
6. **RATE:** Presets the acceleration profile in SPEEDS 1 and 2. With each horse, it can be desirable to change the RATE at which the flag accelerates. Typically, younger horses can benefit from longer RATE periods since it provides more time to collect and draw; thereby promoting a proper turn-around. As the horse progresses, the acceleration period can be reduced to help the horse come through the turn at a faster rate.
7. **SPEED DIALS: Front face of control box**
 - **SPEED 1:** The left speed dial is the starting speed. When the control box is asked to run using either remote or manual control switches, the flag will begin moving at Speed 1 regardless of direction. To stop, simply release button or switch.

- **SPEED 2:** The right speed dial is second speed. To access Speed 2, begin by pressing a run button on remote or manual control. The flag will begin moving at Speed 1. When traveling at Speed 1, release button and re-press immediately. Control box will shift to Speed 2.

EXAMPLE: *Set Speed 1 (left dial) to "15", and Speed 2 to "45". When a run button is pressed, the flag will move at 15. To shift to 45, start the flag moving at 45, then release and instantly re-press run button. The flag will now travel at 45.*

NOTE: when you stop, the unit automatically resets to SPEED 1.

NOTE: if the unit fails to shift to SPEED 2, double-click was not fast enough. User only has 100 milliseconds to cause speed change.

8. **REMOTE CONTROL:** The remote control can be worn in a variety of ways depending on comfort and convenience. The most common method is to strap the control pouch to your preferred wrist, and strap the button assembly to your index (pointer) finger. The riders' thumb is then used to operate the gray directional run buttons. A power button is located on the right side of the remote control pouch. The power indicator light does NOT illuminate when power is ON. It only illuminates when you press the directional switches on the remote control or the Stepper switches.
9. **SET LIMITS:** The Pro Cutter 1503PL is equipped with a programmable LIMIT feature designed to prevent over-runs and crashes during normal operation or when running the single-play program.

Note: LIMITS should be set no closer than 10' from the either end of the arena.

To set the LIMITS, press the left gray switch on the remote control; the Eye-ball will travel left. Once the Eye-Ball gets within 10 – 15 feet of the left side, stop, and then press the orange LIMIT switch on the remote control.

Note: A red light on the front of the control box will FLASH, indicating that the left limit is set..

Press the right gray switch on the remote control; the Eye-Ball will travel right. Once the Eye-Ball is within 10 – 15 feet of the right side, stop. Again, press the orange LIMIT switch.

Note: The red light on the front of the control box will turn SOLID, indicating that the right and left limit are set and the machine is ready to operate.

The LIMITS can be “cleared” by pressing the orange LIMITS button on the remote control or by cycling power to the control box.

Note: Red LIMIT indicator light on the control panel
OFF = LIMITS are not set
FLASHING = LIMIT for one side is set and ready for other side
SOLID = Both LIMITS are set and active

- 10. RUN “SINGLE-PLAY” PROGRAM:** The new “Single-Play” program is designed to execute a common training pattern automatically.

Once one the speeds are set on the control box and the LIMITS are set, press the blue “PLAY” button on the remote control. The program will automatically run a standard training pattern at the desired speeds within the set LIMITS without any additional inputs on the remote control.

Pressing the blue “PLAY” button again on the remote control will stop the program.

Note: Once the LIMITS are set, the program will run continuously until it’s either stopped or cleared. The program

can also be run at multiple speeds using the SPEED UP and SPEED DOWN buttons on the remote control.

The program can be cleared by pressing the orange LIMITS button or by cycling power to the machine.

Note: Once you've set the limits, you can press PLAY on the remote control for the programmed run, or use the gray finger switches on the remote control to start, stop, or reverse direction of the Eye-ball.

11. **Practice:** Attach remote control to your wrist by inserting your hand through Velcro loop on pouch. Attach switch plate to index finger and rotate buttons so they can be pushed by your thumb. Walk to center of arena and practice operating machine.

Once comfortable with the controls, you are ready to introduce your horse to the Pro Cutter. We recommend working at slow speeds until both horse and rider are acclimated.

PERFORMANCE PACKAGE SYSTEM UPGRADE

Your Pro Cutter is now equipped with the all new Performance Package. This full system upgrade enhances your training experience by giving the rider the ability to make speed adjustments from horseback using STEPPER technology, and an ultra-high performance remote control radio package. This new “state of the art” operator interface provides many advantages over other remote control systems. These include user programmable functions, instant response, extended range, reduced power consumption, and a flush mount antenna system. Extensive engineering has eliminated the legacy 8” rubber antenna that horses enjoy teething on and breaking!

STEPPER TECHNOLOGY:

Stepper Technology refers to the process of changing speeds from horseback using the wrist mounted remote control. After setting your base speeds on the **Pro Cutter CONTROL BOX**, the rider can further adjust speed(s) by pressing the SPEED UP or SPEED DOWN buttons located top of the remote control pouch. Each press of either button will result in a 10% CHANGE in speed; with a total number of 10 STEPS available. Cycling power ON/OFF on the **Pro Cutter CONTROL BOX** will reset the STEPPER back to a “0” setting.



NOTE: ALWAYS turn power button “Off” on remote control when not in use!

REMOTE CONTROL:

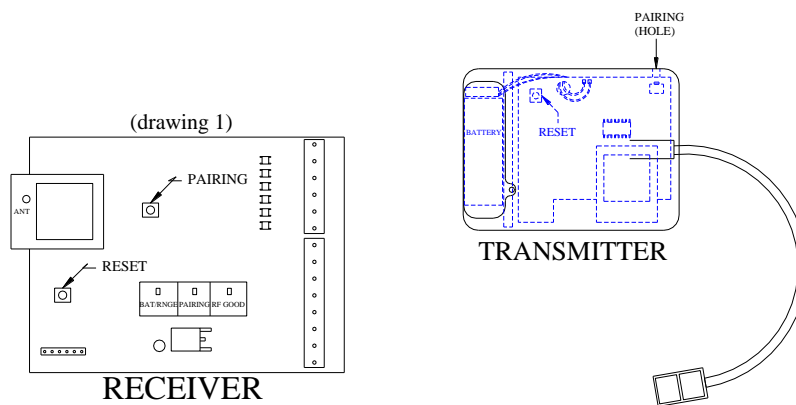
The remote control includes an easily replaceable 9 volt **alkaline** battery and is ready to operate once your Pro Cutter is installed. **NOTE: Be sure to check the date stamp when purchasing new batteries.** As with any electronic device, the remote control should be stored in a cool, dry location to enhance battery life and prevent corrosion. Should the remote control become wet, damage may be prevented by immediately removing the battery and leaving the battery door off in a warm, low humidity location for several hours. The battery should also be removed during extended storage periods exceeding 2 to 3 months to prevent corrosion. Replacement remote controls are readily available from Show Pro Industries should the original unit become lost or damaged.

A power button is located on the right side of the remote control pouch. The power indicator light does NOT illuminate when power is ON. It only illuminates when you press **one** of the directional switches on the remote control **OR one** of the Stepper switches. Battery requires replacement if light is on continuously, or does not illuminate when control buttons are pressed.

Pairing (programming):

At times it is desirable to operate multiple Pro Cutters' in close proximity without the remote controls' cross-communicating. This requires a simple PAIRING procedure to shift the radio package to an alternate frequency. The following procedure outlines the pairing (programming) process which requires opening the Pro Cutter drive box **with power applied**. Care must be taken to avoid contact with live circuits or electric shock may occur. Show Pro Industries accepts no responsibility for damage or injury resulting from contact with live electrical circuits. **PROGRAM RADIOS AT YOUR OWN RISK.**

- 1) Begin by opening the lid on the Pro Cutter drive box. This is accomplished using a blade screw driver on the ¼ turn lid latch. Once open, the radio receiver is located in the top-center of the control box (drawing 1). Using drawing 1 as a guide, identify the black PAIR button located near the center of the receiver circuit board.



- 2) Remove the wireless remote control from the canvas/Velcro pouch. Using drawing 2 as a guide locate the pairing hole in the upper left corner of the remote control case. A small pin will be required to access the pairing switch.
- 3) With power applied to the Pro Cutter drive box, press and release the black PAIR button on the radio receiver board. A yellow PAIR indicator will illuminate on the receiver board indicating the receiver is searching for the remote control. Next, press and release the PAIR button on the remote control using a small pin. You should now see the yellow PAIR indicator flash and the green RF GOOD indicator illuminate. Wait for both indicators to turn off before pressing any buttons or switches.
- 4) Pairing is complete once both indicators turn off. Test for proper operation by pressing the remote control RUN buttons. The green RF GOOD indicator should illuminate each time a RUN button is pressed. Close Pro Cutter lid being careful to fully engage lid latch to prevent possible damage from water/dirt entering control box. Reinstall remote control case into Velcro pouch.

Important Safeguards:

1. Electrical enclosure should be protected with a non-metal roof or shield. This not only protects the paint finish but also keeps rubber components (gasket, boots, antenna, etc.) from drying out.
 2. **Warning:** Electric shock or malfunction could occur if power cord or plug is damaged in any way. Do not work Pro Cutter in rain – or allow cord or plug to lie in water
 3. Always use properly grounded 110VAC electrical outlet.
 4. Do not operate Pro Cutter if electrical enclosure or any of its components are damaged in any way, or after malfunction.
 5. Use Pro Cutter only as intended and described in literature.
 6. Always unplug Pro Cutter when through working each day.
-
-

TROUBLESHOOTING:

Problem:

Solution:

1. Pro Cutter will not operate using remote control or manual switch.
-

make sure there is power to machine. Check fuse.

2. Pro Cutter will operate using manual switch but not remote control.
-

check battery in remote control.

3. There's a "clicking" noise but Pro Cutter won't run. Power light does not illuminate.
-

fuse is blown.
Replace fuse (4 amp, 250 v. fast blow).

NOTE: The remote control is powered by a common 9-volt battery which will require replacement on occasion. Remove plastic case from Velcro pouch. On top of plastic case, remove small screw to remove battery door. Unsnap battery and replace.

LIMITED WARRANTY

The following warranty is in lieu of all other warranties, expressed, implied or statutory, including but not limited to any implied warranty of merchantability or fitness for a particular purpose.

All new products sold by Show Pro Industries are warranted against defects in material and workmanship for two (2) years from the date of original purchase. During the warranty period, Show Pro Industries will repair, or at its option replace without charge, any SPI product (excluding normal wear items), providing it is returned to the factory, shipping prepaid, and is proven to be defective during the subsequent factory inspection. The warranty period for products repaired after expiration of new product warranty, as stated above, is limited to the repair portion and is valid for 90 days from date of reshipment to customer. All warranties, expressed or implied, are void if product is damaged by accident, misuse or modification in the absence of written authority from Show Pro Industries.

SHOW PRO INDUSTRIES

P.O. Box 1235 (Hwy. 51 N.), Springtown, TX 76082 / (817)523-4055 / (817)220-5117 fax
email: showpro@flash.net / www.procutter.com