

SHOW PRO INDUSTRIES

P.O. Box 1235, Springtown, TX 76082 / (817)523-4055 / (817)220-5117 fax

Show Pro Industries would like to thank you for purchasing a Pro Cutter. Every effort has been taken to provide you with a quality product designed to provide years of trouble-free service.

Pro Cutter 009

Packing List:

- control box (steel box containing electronic components)
- antenna *
- remote control (worn on rider's wrist)
- off-side pulley
- (4) heavy duty cable ties for mounting control box
- installation instructions

Cow Model:

- FLEX cow **
- slide tube set w/snaps
- kevlar cable (custom cut) & "tech" line

Flag Model:

- flat braid rope (400')
- trainer flag

** Do not discard protective cap. Re-use cap to protect antenna connector when antenna is not installed.*

*** A black & white banner can be added that will interchange with cow.*

INSTALLATION INSTRUCTIONS:

Cow Model:

1. Mount control box: Securely attach control box on one side of arena. It should be mounted so pulley on bottom of box is approximately 45 inches from the ground.
2. Mount return pulley: Mount off-side return pulley on opposite side of arena in horizontal position. It should also be mounted approximately 45 inches from the ground. See attached instructions for machines using a cable tensioner.
3. Install kevlar cable: Have an assistant hold cable in center of arena. Take end of cable attached to slide tube around idler pulley, across arena, around both pulleys on bottom of control box, and back to center. **Be sure the straight slide tube slides freely on the back part of the loop.** Tie opposite end of cable to slide tube and tighten removing as much slack as possible. Tie s knot and cut off extra cable. Keep in mind that the objective is to form a loop with the cable. The slide tube with two snaps supports the cow's head, and the slide tube with one snap (slides freely on back part of loop) supports the cow's shoulder.
4. Install "TECH" line: The tech line is static and supports the cow's hip. A slide tube is pre-installed on this line. Tie one end of tech line to fence as close to control box as possible. There should be no more than 2 – 3 inches between the back part of the loop and the tech line. Tie to fence on opposite side of arena and tighten. Installing tech line close to shoulder line causes the cow to travel flat, stop flat, and turn around smoothly.
5. Install antenna: Remove protective cap from antenna connector on top of control box. Insert whip antenna into connector, push down, and twist clockwise approximately ¼ turn. You should feel antenna lock into position. *(To remove antenna, squeeze base and twist counter-clockwise)*
6. Apply power: Plug Pro Cutter into grounded 120VAC, 3-prong outlet. Waiting a few minutes before operating allows the climate control system to stabilize temperatures and remove condensation. Always unplug unit when not in use. *EURO MODELS: 240VAC/50Hz

7. Attach cow: Following the included drawing, attach cow to slide tubes on kevlar cable and tech line.
 8. Operate system: Take a minute to experiment with the system. Turn speed dial on control box to "30". Attach remote control to your wrist, and fingerplate on your index (pointer) finger. Using your thumb to operate buttons, move cow end to end. Make any adjustments (tighten rope, adjust Tech line, etc). Once comfortable with the controls, you are ready to introduce your horse to the Pro Cutter. We recommend working at slow speeds until both horse and rider are acclimated.
-
-

ADDITIONAL FEATURES:

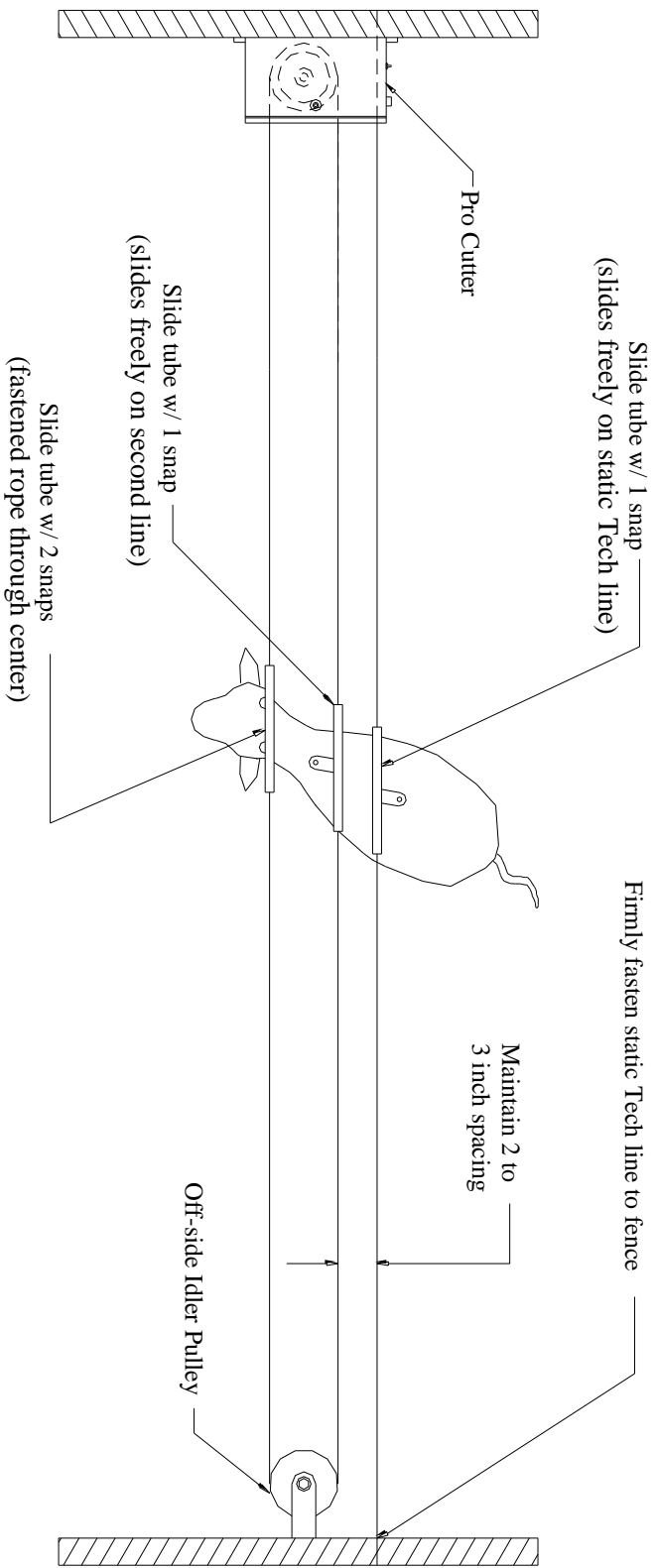
- * Soft-start acceleration: Progressive acceleration ramp
 - * Superior radio system: Better range, less interference.
 - * Large drive system: Heavy-duty industrial components
 - * Weather-tight NEMA enclosure
 - * Climate control system
 - *Dynamic braking
-
-

Thank you for choosing.....

SHOW PRO INDUSTRIES

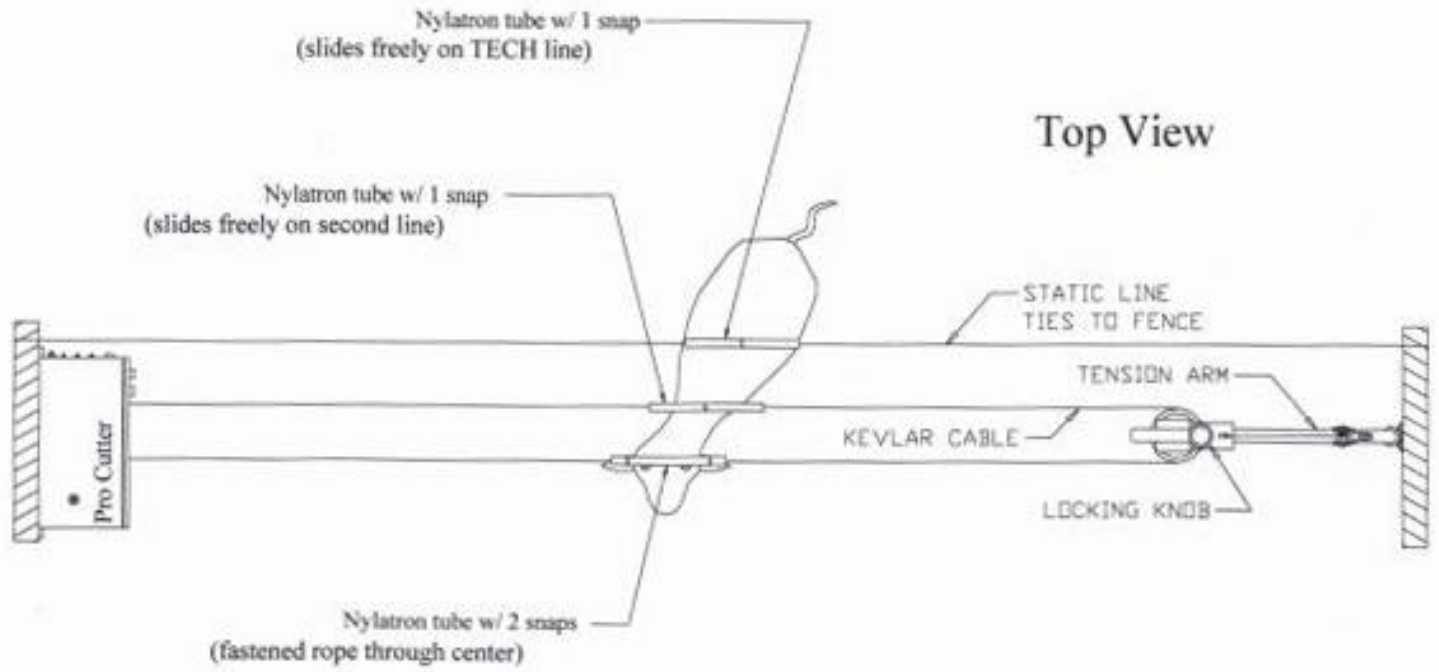
P.O. Box 1235, Springtown, TX 76082 / (817)523-4055 / (817)220-5117 fax
email: showpro@flash.net / www.procutter.com

OVERHEAD VIEW - COW MODEL

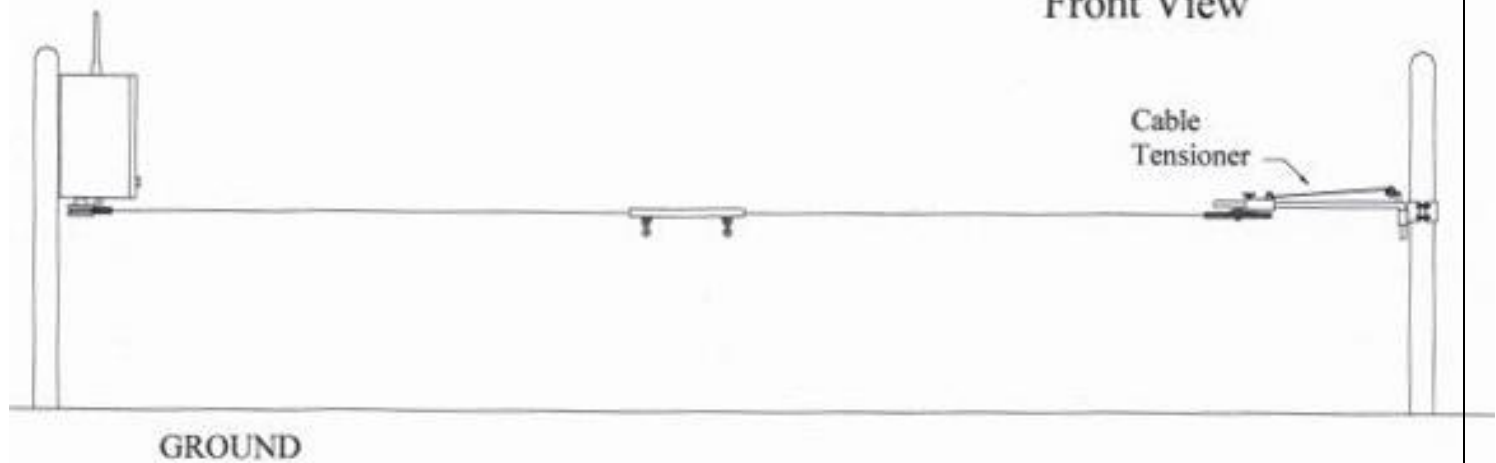


Pro Cutter Cow models with optional Cable Tensioner

Top View



Front View

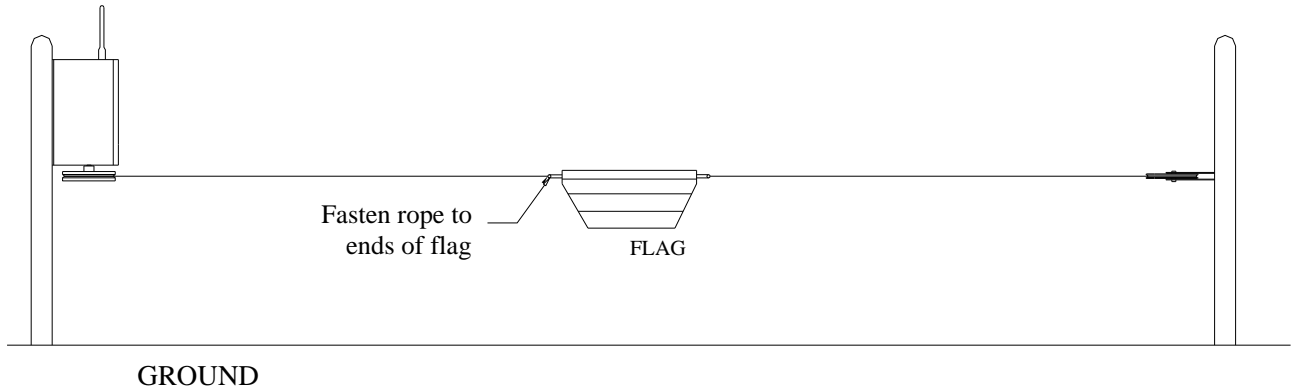


INSTALLATION INSTRUCTIONS:

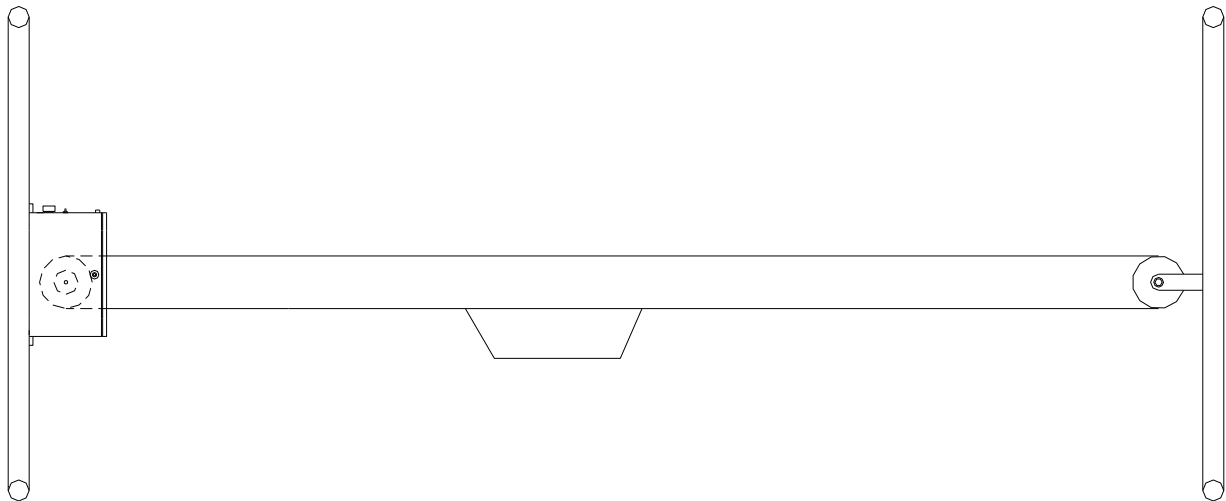
Flag Model:

1. Mount control box: Securely attach control box on one side of arena. It should be mounted so pulleys on bottom of box are approximately 45 inches from ground.
2. Mount return pulley: Mount off-side return pulley on opposite side of arena in horizontal position. It should also be mounted approximately 45 inches from ground.
3. Install flat-braid rope: To install flat braid rope, start in center of pen. Take one end of rope around off-side pulley, across pen, around pulley on bottom of control box, and back to center. Tie one end of rope to left side of flag and other end to right side of flag while removing slack. Cut extra line.
4. Install antenna: Remove protective cap from antenna connector on top of control box. Insert whip antenna into connector, push down, and twist clockwise approximately $\frac{1}{4}$ turn. You should feel antenna lock into position. *(To remove antenna, squeeze base and twist counter-clockwise)*
5. Apply power: Plug Pro Cutter into grounded 120VAC, 3-prong outlet. Waiting a few minutes before operating allows the climate control system to stabilize temperatures and remove condensation. Always unplug unit when not in use. **EURO MODELS: 240VAC/50Hz*
6. Operate system: Take a minute to experiment with the system. Turn speed dial on control box to "30". Attach remote control to your wrist, and fingerplate on your index (pointer) finger. Using your thumb to operate buttons, move flag end to end. Make any adjustments (tighten rope, adjust speed, etc). Once comfortable with the controls, you are ready to introduce your horse to the Pro Cutter. We recommend working at slow speeds until both horse and rider are acclimated.

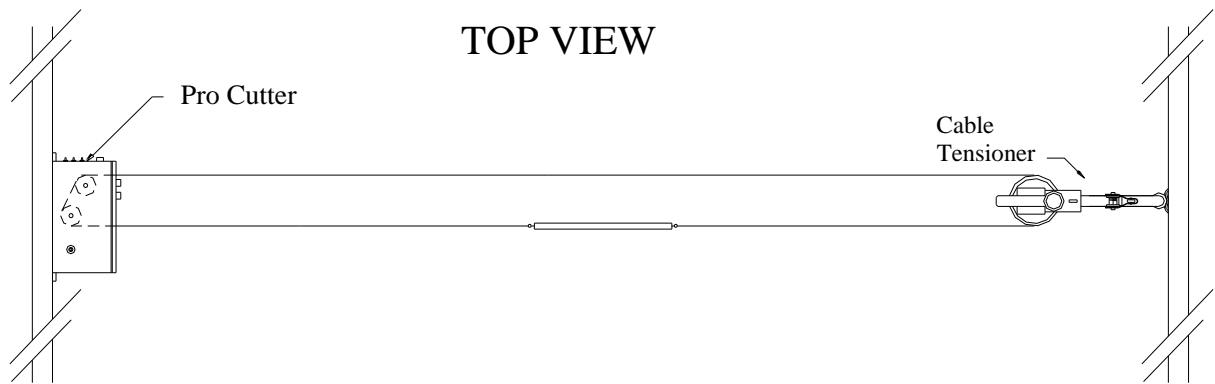
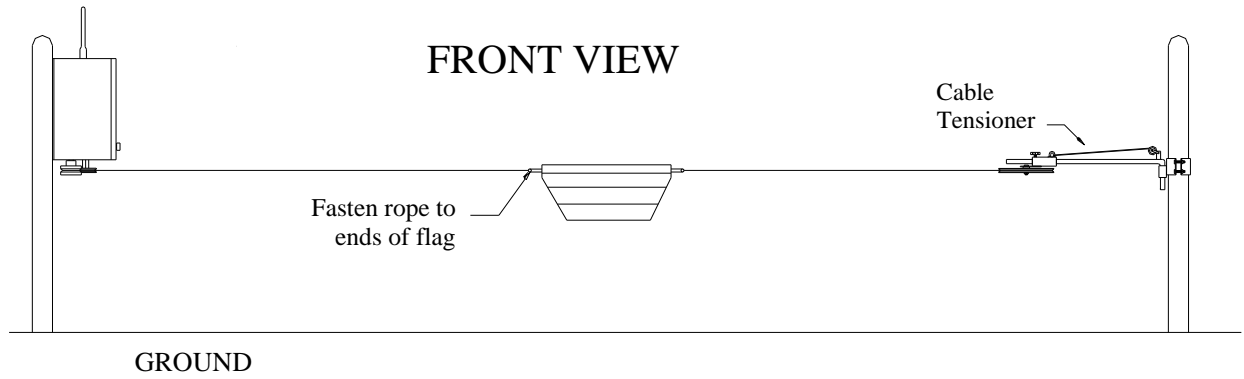
FRONT VIEW - PC009



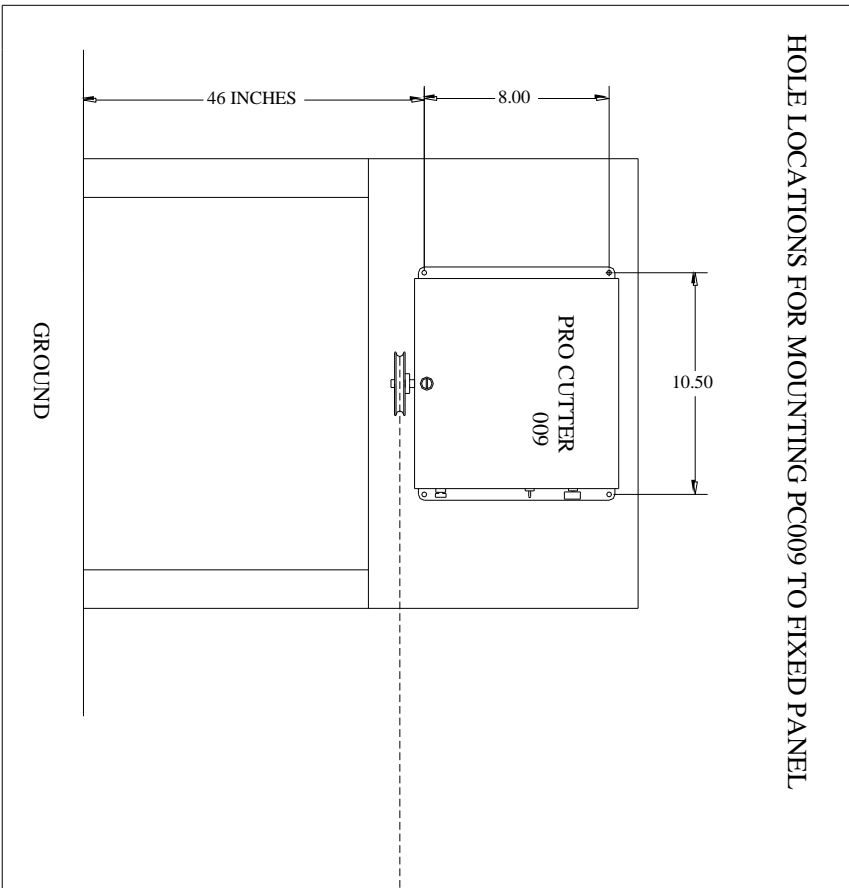
OVERHEAD VIEW - PC009



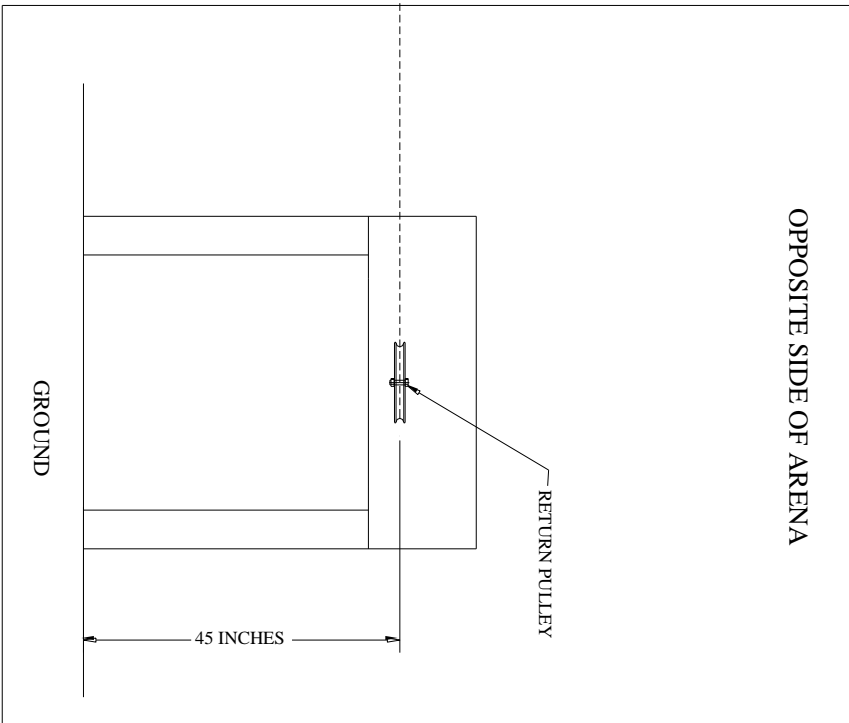
Pro Cutter Flag models with optional Cable Tensioner



HOLE LOCATIONS FOR MOUNTING PC009 TO FIXED PANEL



OPPOSITE SIDE OF ARENA



Important Safeguards:

1. Electrical enclosure (control box) should be protected with a non-metal roof or shield. This not only protects the paint finish but also keeps rubber components (gasket, boots, antenna, etc.) from drying out.
2. **Warning:** Electric shock or malfunction could occur if power cord or plug is damaged in any way. Do not work Pro Cutter in rain – or allow cord or plug to lie in water
3. Always use properly grounded 120VAC electrical outlet.
4. Do not operate Pro Cutter if control box, or any of its components are damaged in any way, or after malfunction.
5. Use Pro Cutter only as intended and described in literature.
6. Always unplug Pro Cutter when through working each day.
7. Do not allow flag to run into ends, or damage may occur to electronics, rope, or both.

TROUBLE SHOOTING

Problem:

1. Pro Cutter will not operate using remote control or manual switch.

Solution:

Make sure there is power to machine. Check 4A fuse.

-
2. Pro Cutter will operate using manual switch but not remote control.

Check battery in remote control. Be sure antenna & receptacle aren't damaged.

-
3. There's a "clicking" noise but Pro Cutter won't run.

Fuse is blown.
replace fuse (4 amp, 250 v., fast blow).

NOTE: The remote control, worn on the rider's wrist, has a 9-volt battery in the plastic case inside the pouch. *The battery must be changed on a regular basis.* The first sign that a battery may be failing is when the flag starts hesitating or "missing" going one direction. The natural tendency is to press harder on the switch, twist the cable leading to the switches, or tap the remote control, all of which may result in damage. Avoid these conditions and **replace battery at first sign of intermittent operation.** Remote control should always be stored indoors.

NOTE: The antenna, or protective cap, must be securely fastened to receptacle on top of control box **at all times.** If the antenna or antenna cap is removed or damaged, water can enter the control box resulting in severe damage to electronics. Care should be taken during installation to mount unit in a location protected from livestock.

LIMITED WARRANTY

The following warranty is in lieu of all other warranties, expressed, implied or statutory, including but not limited to any implied warranty of merchantability or fitness for a particular purpose.

All new products sold by Show Pro Industries are warranted against defects in material and workmanship for two (2) years from the date of original purchase. During the warranty period, Show Pro Industries will repair, or at its option replace without charge, any SPI product (excluding normal wear items), providing it is returned to the factory, shipping prepaid, and is proven to be defective during the subsequent factory inspection. The warranty period for products repaired after expiration of new product warranty, as stated above, is limited to the repair portion and is valid for 90 days from date of reshipment to customer. All warranties, expressed or implied, are void if product is damaged by accident, misuse or modification in the absence of written authority from Show Pro Industries.

SHOW PRO INDUSTRIES

P.O. Box 1235, Springtown, TX 76082 / (817)523-4055 / (817)220-5117 fax
email: showpro@flash.net / www.procutter.com