

# SHOW PRO INDUSTRIES

P.O. Box 1235, Springtown, TX 76082 / (817)523-4055 / (817)220-5117 fax

---

*Show Pro Industries would like to thank you for purchasing a Pro Cutter. Every effort has been taken to provide you with a quality product designed to provide years of trouble-free service.*

## **Pro Cutter 009 with Performance Package Upgrade**

### **Packing List:**

- control box (steel box containing electronic components)
- digital remote control w Stepper Technology
- off-side pulley
- installation instructions

### **Cow Model:**

- FLEX cow\*
- slide tube set w/snaps
- kevlar cable (custom cut) & "tech" line

### **Flag Model:**

- flat braid rope (400')
- trainer flag
- (4) heavy duty cable ties for mounting control box

*\*A black and white banner can be added that will interchange with the cow.*

# INSTALLATION INSTRUCTIONS:

## Cow Model:

1. Mount control box: Securely attach control box on one side of arena. It should be mounted so pulleys on bottom of box are approximately 45 inches from the ground.
2. Mount return pulley: Mount off-side return pulley on opposite side of arena in horizontal position. It should also be mounted approximately 45 inches from the ground.
3. Install kevlar cable: Have an assistant hold cable in the center of arena. Locate the cable end **NOT** tied to slide tube. As assistant feeds off line, move towards off-side pulley, around pulley, through free sliding single snap slide tube, to control box, around pulley on bottom of control box, then back to center of arena. Remove as much slack as possible and tie off to end of double snap slide tube. Keep in mind that the objective is to form a loop with the cable. The slide tube with two snaps supports the cow's head, and the slide tube with one snap supports the cow's shoulder.
4. Install "TECH" line: The tech line is static and supports the cow's hip. Tie end of rope to fence 2-3 inches "behind" drive pulley on bottom of control box. After removing slack, tie to fence on opposite side of arena 2-3 inches behind off-side pulley. By installing tech line close to shoulder line causes the cow to travel flat, stop flat, and turn around smoothly.
5. Apply power: Plug Pro Cutter into grounded 120VAC, 3-prong outlet.  
*\*EURO MODELS: 240VAC/50Hz*
6. Attach cow: Following the included drawing, attach cow to slide tubes on kevlar cable and tech line.
7. Power on Remote: A power button is located on the right side of the remote control pouch. The power indicator light does **NOT** illuminate when power is ON. It only illuminates when you press the directional switches on the remote control or the Stepper switches.
8. Practice: Take a minute to experiment with the system. Turn speed dial on control box to "30". Attach remote control to your wrist, and fingerplate on your index (pointer) finger. Using your thumb to operate buttons, move cow end to end. Make any adjustments (tighten rope, adjust

Tech line, etc). Once comfortable with the controls, you are ready to introduce your horse to the Pro Cutter. We recommend working at slow speeds until both horse and rider are acclimated.

---

---

## **ADDITIONAL FEATURES:**

- \* Soft-start acceleration: Progressive acceleration ramp
- \* Superior radio system: Better range, less interference.
- \* Large drive system: Heavy-duty industrial components
- \* Weather-tight NEMA enclosure
- \* Dynamic braking

---

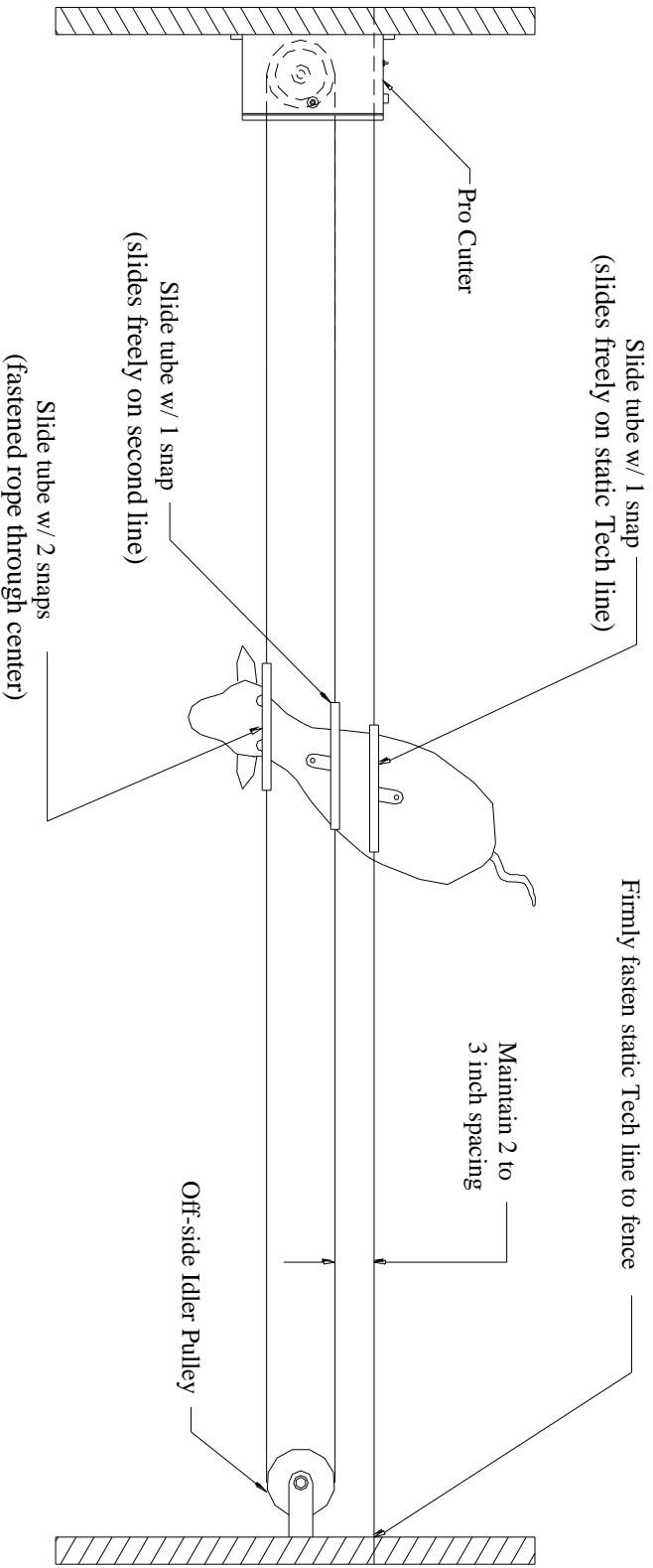
---

**Thank you for choosing.....**

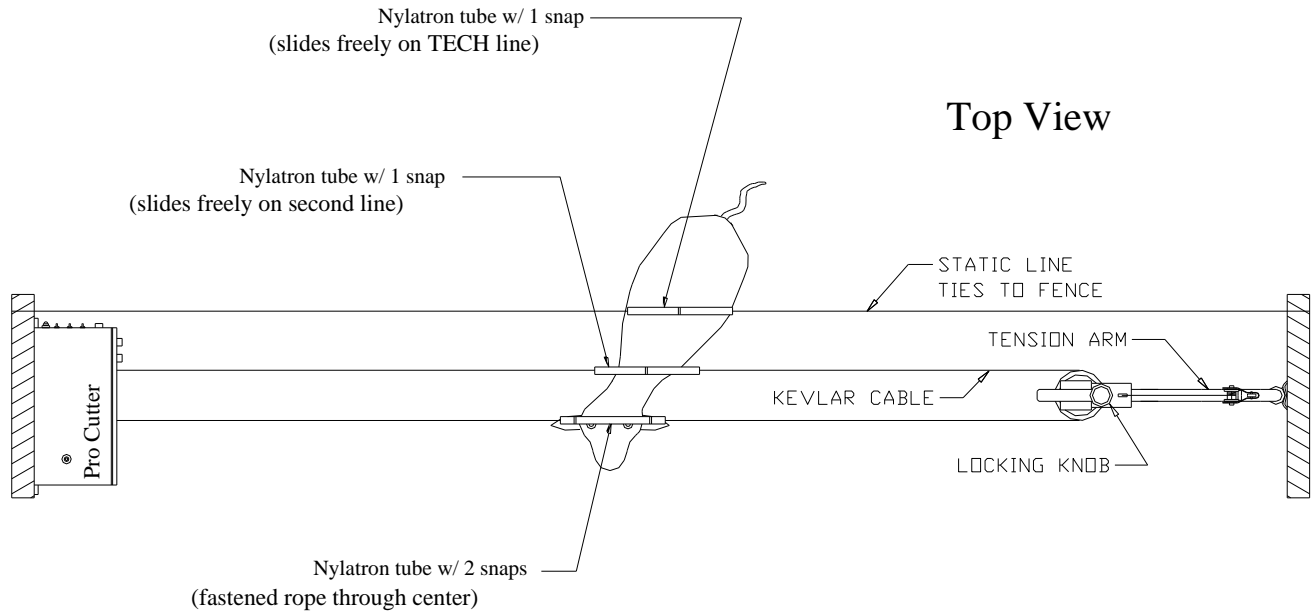
**SHOW PRO INDUSTRIES**

P.O. Box 1235, Springtown, TX 76082 / (817)523-4055 / (817)220-5117 fax

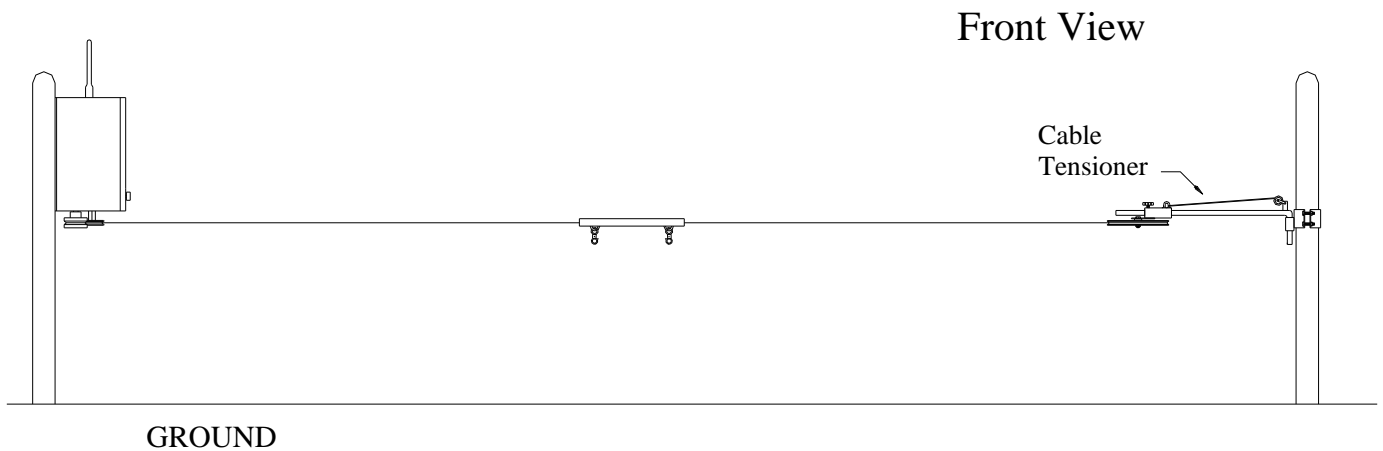
# OVERHEAD VIEW - COW MODEL



# Pro Cutter Cow models with Cable Calf Tensioner



Top View



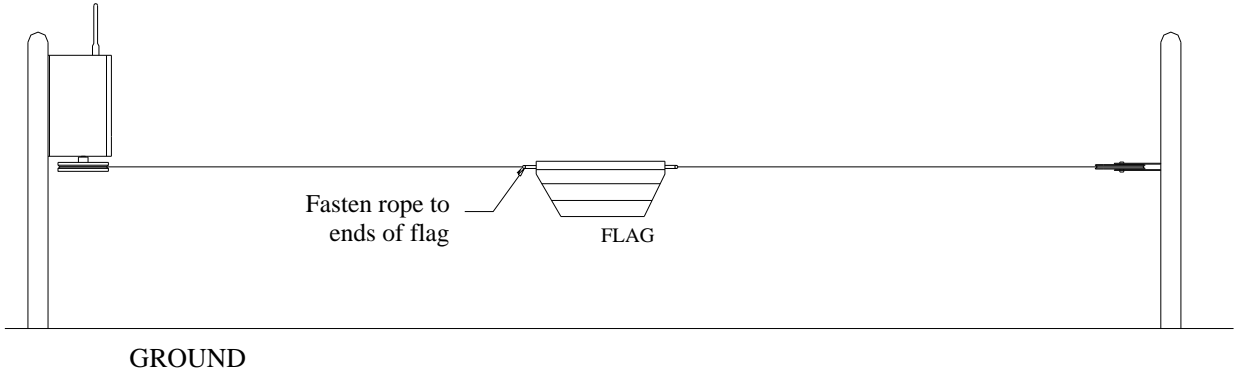
Front View

# INSTALLATION INSTRUCTIONS:

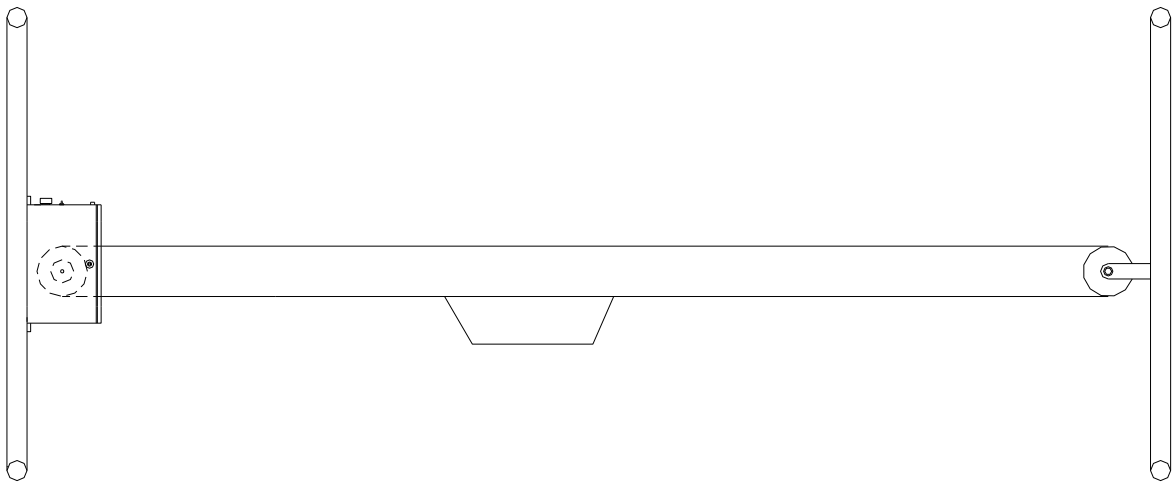
## Flag Model:

1. Mount control box: Securely attach control box on one side of arena. It should be mounted so pulleys on bottom of box are approximately 45 inches from ground.
2. Mount return pulley: Mount off-side return pulley on opposite side of arena in horizontal position. It should also be mounted approximately 45 inches from ground. The pulley will hang slack until flat braid rope is installed.
3. Install flat-braid rope: To install flat braid rope, start in center of arena. Take one end of rope around off-side pulley, across arena, around pulley on bottom of control box, and back to center of arena. Tie one end of rope to left side of flag and other end to right side of flag while removing slack. Cut extra line.
4. Apply power: Plug Pro Cutter into grounded 120VAC, 3-prong outlet. Always unplug unit when not in use. \**EURO MODELS: 240VAC/50Hz*
5. Power on Remote: A power button is located on the right side of the remote control pouch. The power indicator light does NOT illuminate when power is ON. It only illuminates when you press the directional switches on the remote control or the Stepper switches.
6. Practice: Take a minute to experiment with the system. Turn speed dial on control box to "30". Attach remote control to your wrist, and fingerplate on your index (pointer) finger. Using your thumb to operate buttons, move flag end to end. Make any adjustments (tighten rope, adjust speed, etc). Once comfortable with the controls, you are ready to introduce your horse to the Pro Cutter. We recommend working at slow speeds until both horse and rider are acclimated.

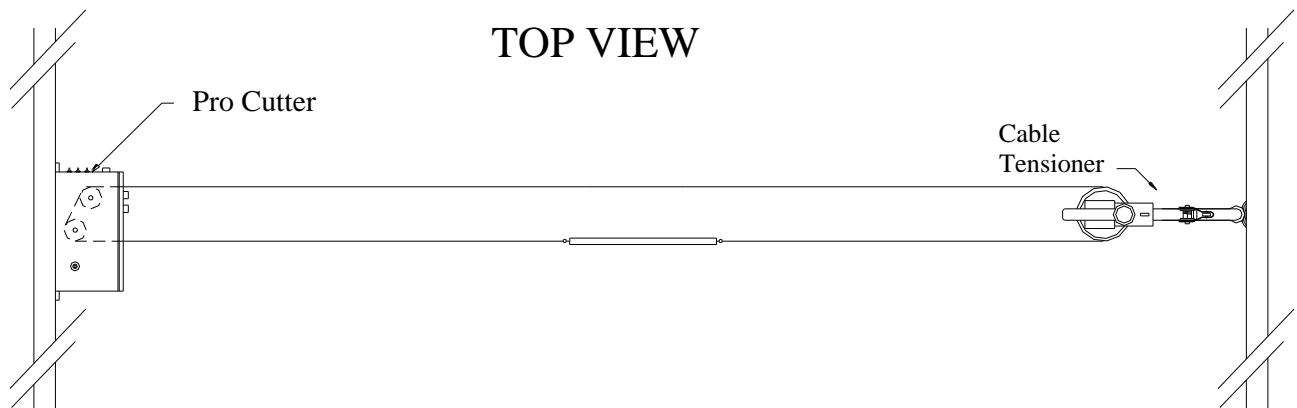
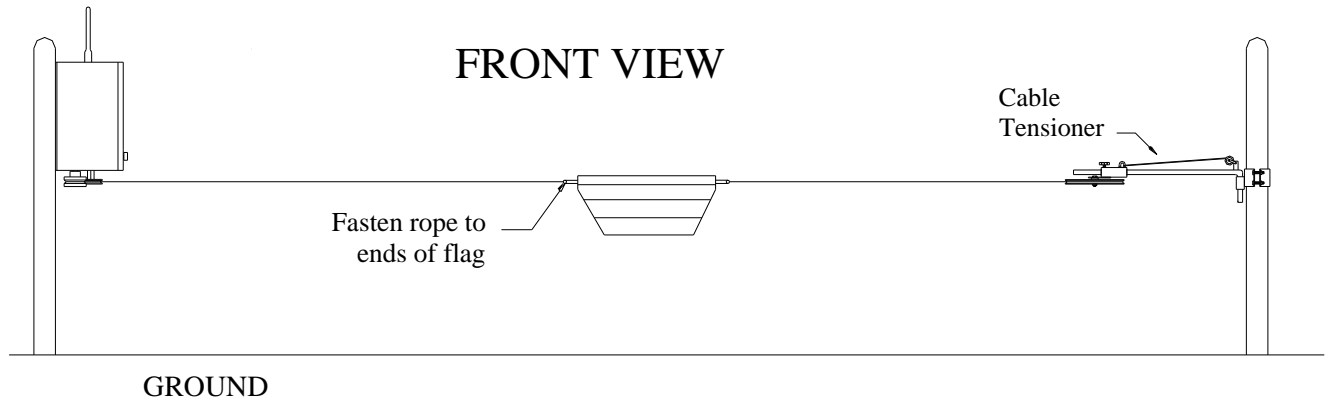
# FRONT VIEW - PC009



# OVERHEAD VIEW - PC009

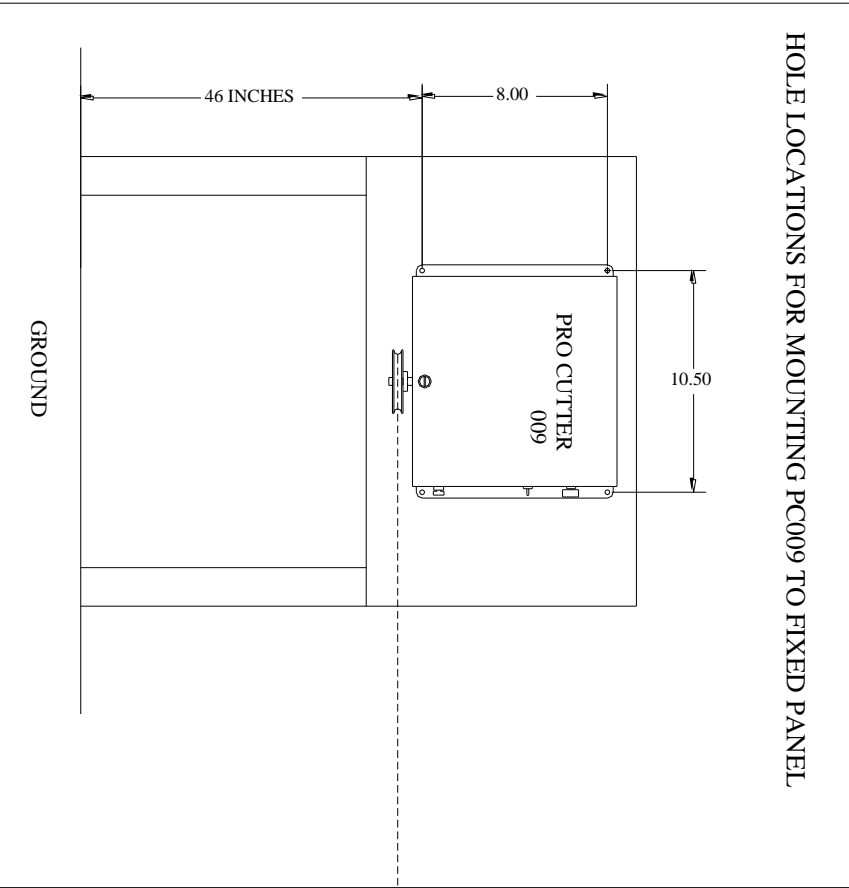


# Pro Cutter Flag models with optional Cable Tensioner

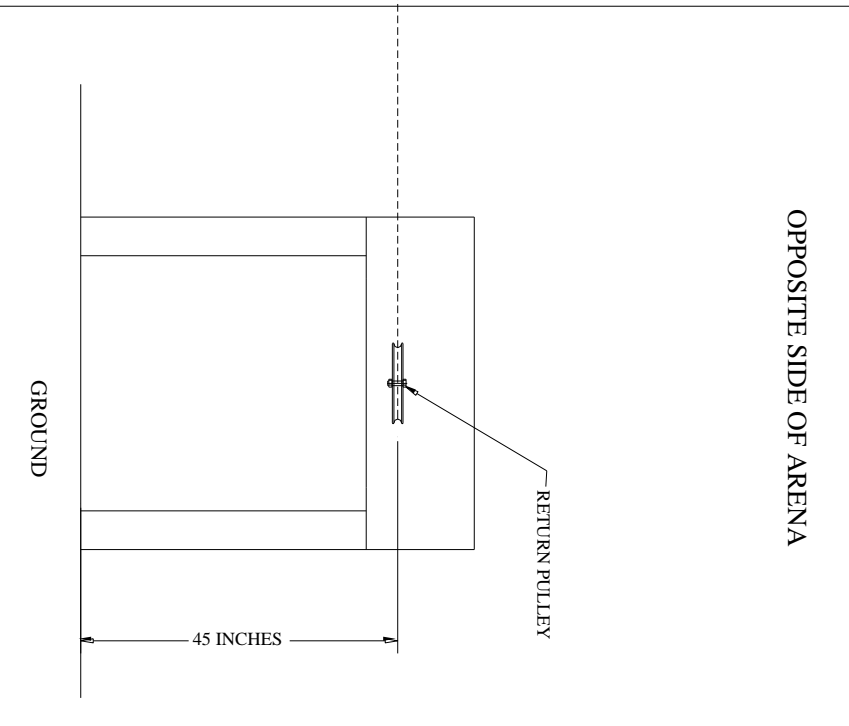




SOLE LOCATIONS FOR MOUNTING PC009 TO FIXED PANEL



OPPOSITE SIDE OF ARENA



# PERFORMANCE PACKAGE SYSTEM UPGRADE

---

Your Pro Cutter is now equipped with the all new Performance Package. This full system upgrade enhances your training experience by giving the rider the ability to make speed adjustments from horseback using STEPPER technology, and an ultra-high performance remote control radio package. This new “state of the art” operator interface provides many advantages over other remote control systems. These include user programmable functions, instant response, extended range, reduced power consumption, and a flush mount antenna system. Extensive engineering has eliminated the legacy 8” rubber antenna that horses enjoy teething on and breaking!

---

## STEPPER TECHNOLOGY:

Stepper Technology refers to the process of changing speeds from horseback using the wrist mounted remote control. After setting your base speeds on the **Pro Cutter CONTROL BOX**, the rider can further adjust speed(s) by pressing the SPEED UP or SPEED DOWN buttons located top of the remote control pouch. Each press of either button will result in a 10% CHANGE in speed; with a total number of 10 STEPS available. Cycling power ON/OFF on the **Pro Cutter CONTROL BOX** will reset the STEPPER back to a “0” setting.



**NOTE: ALWAYS turn power button “Off” on remote control when not in use!**

## REMOTE CONTROL:

The remote control includes an easily replaceable 9 volt **alkaline** battery and is ready to operate once your Pro Cutter is installed. **NOTE: Be sure to check the date stamp when purchasing new batteries.** As with any electronic device, the remote control should be stored in a cool, dry location to enhance battery life and prevent corrosion. Should the remote control become wet, damage may be prevented by immediately removing the battery and leaving the battery door off in a warm, low humidity location for several hours. The battery should also be removed during extended storage periods exceeding 2 to 3 months to prevent corrosion. Replacement remote controls are readily available from Show Pro Industries should the original unit become lost or damaged.

A power button is located on the right side of the remote control pouch. The power indicator light does NOT illuminate when power is ON. It only illuminates when you press **one** of the directional switches on the remote control **OR one** of the Stepper switches. Battery requires replacement if light is on continuously, or does not illuminate when control buttons are pressed.

## Important Safeguards:

1. Electrical enclosure (control box) should be protected with a non-metal roof or shield. This not only protects the paint finish but also keeps rubber components (gasket, boots, antenna, etc.) from drying out.
2. **Warning:** Electric shock or malfunction could occur if power cord or plug is damaged in any way. Do not work Pro Cutter in rain – or allow cord or plug to lie in water
3. Always use properly grounded 120VAC electrical outlet.
4. Do not operate Pro Cutter if control box, or any of its components are damaged in any way, or after malfunction.
5. Use Pro Cutter only as intended and described in literature.
6. Always unplug Pro Cutter when through working each day.
7. Do not allow flag to run into ends, or damage may occur to electronics, rope, or both.

## TROUBLE SHOOTING

### Problem:

1. Pro Cutter will not operate using remote control or manual switch.

### Solution:

Make sure there is power to machine. Check 4A fuse.

- 
2. Pro Cutter will operate using manual switch but not remote control.

Check battery in remote control. Be sure antenna & receptacle aren't damaged.

- 
3. There's a "clicking" noise but Pro Cutter won't run.

Fuse is blown.  
replace fuse (4 amp, 250 v., fast blow).

---

**NOTE:** The remote control, worn on the rider's wrist, has a 9-volt battery in the plastic case inside the pouch. The battery must be changed on a regular basis.

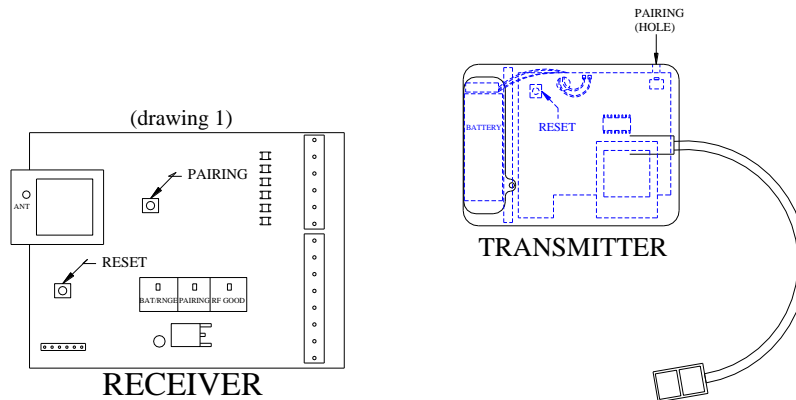
### Pairing (programming):

At times it is desirable to operate multiple Pro Cutters' in close proximity without the remote controls' cross-communicating. This requires a simple PAIRING procedure to shift the radio package to an alternate frequency. The following procedure outlines the pairing (programming) process which requires opening the Pro Cutter drive box **with power applied**. Care must be taken to avoid contact with live circuits or electric shock may occur. Show Pro Industries accepts no responsibility for damage or injury resulting from contact with live electrical circuits.

### **PROGRAM RADIOS AT YOUR OWN RISK.**

- 1) Begin by opening the lid on the Pro Cutter drive box. This is accomplished using a blade screw driver on the ¼ turn lid latch. Once open, the radio receiver is located in the top-center

of the control box (drawing 1). Using drawing 1 as a guide, identify the black PAIR button located near the center of the receiver circuit board.



- 2) Remove the wireless remote control from the canvas/Velcro pouch. Using drawing 2 as a guide, locate the pairing hole in the upper left corner of the remote control case. A small pin will be required to access the pairing switch.
- 3) With power applied to the Pro Cutter drive box, press and release the black PAIR button on the radio receiver board. A yellow PAIR indicator will illuminate on the receiver board indicating the receiver is searching for the remote control. Next, press and release the PAIR button on the remote control using a small pin. You should now see the yellow PAIR indicator flash and the green RF GOOD indicator illuminate. Wait for both indicators to turn off before pressing any buttons or switches.
- 4) Pairing is complete once both indicators turn off. Test for proper operation by pressing the remote control RUN buttons. The green RF GOOD indicator should illuminate each time a RUN button is pressed. Close Pro Cutter lid being careful to fully engage lid latch to prevent possible damage from water/dirt entering control box. Reinstall remote control case into Velcro pouch.

# LIMITED WARRANTY

The following warranty is in lieu of all other warranties, expressed, implied or statutory, including but not limited to any implied warranty of merchantability or fitness for a particular purpose.

**All new products sold by Show Pro Industries are warranted against defects in material and workmanship for two (2) years from the date of original purchase. During the warranty period, Show Pro Industries will repair, or at its option replace without charge, any SPI product (excluding normal wear items), providing it is returned to the factory, shipping prepaid, and is proven to be defective during the subsequent factory inspection. The warranty period for products repaired after expiration of new product warranty, as stated above, is limited to the repair portion and is valid for 90 days from date of reshipment to customer. All warranties, expressed or implied, are void if product is damaged by accident, misuse or modification in the absence of written authority from Show Pro Industries.**

---

Show Pro Industries  
PO Box 1235  
Springtown, TX 76082  
(817)523-4055 / (817)220-5117