

# SHOW PRO INDUSTRIES

P.O. Box 1235 (Hwy. 51 N.), Springtown, TX 76082 / (817)523-4055 / (817)220-5117 fax

---

*Show Pro Industries would like to thank you for purchasing a Pro Cutter. Every effort has been taken to provide you with a quality product designed to provide years of trouble-free service.*

## Pro Cutter 1502

### Packing List:

- control box (steel box containing electronic components)
- antenna\*
- remote control (worn on rider's wrist)
- off-side pulley
- installation instructions

### Cow Model:

- FLEX cow\*\*
- slide tube set w/snaps
- kevlar cable (custom cut) & "tech" line

### Flag Model:

- flat braid rope (400')
- trainer flag
- (4) heavy duty cable ties for mounting control box

*\* Do not discard protective cap. Re-use cap to protect antenna connector when antenna is not installed.*

*\*\*A black & white banner can be added that will interchange with cow.*

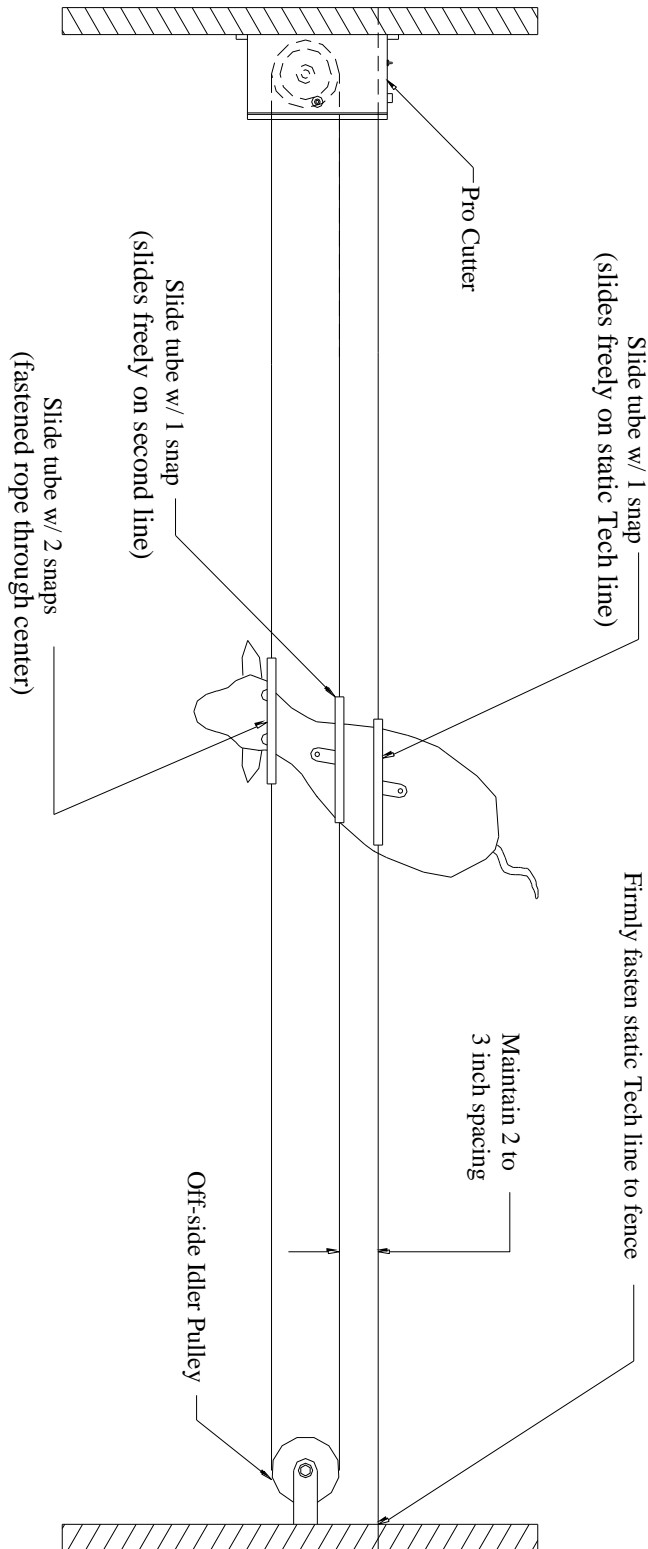
# INSTALLATION INSTRUCTIONS:

## Cow Model:

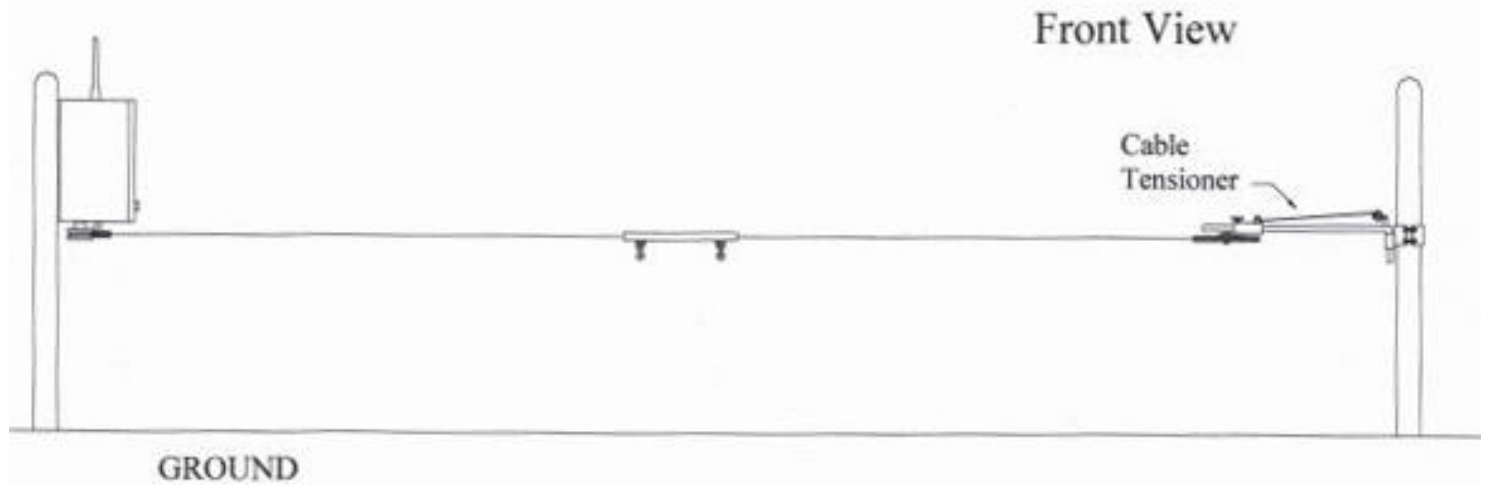
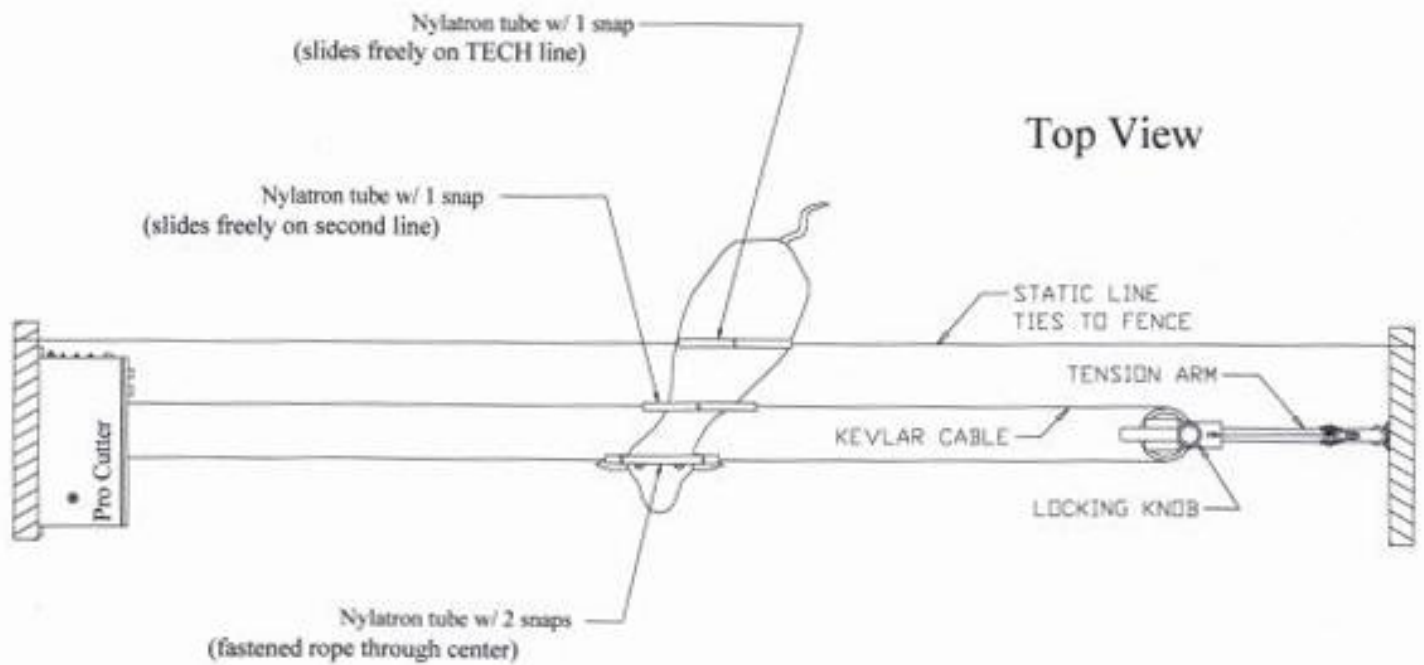
1. Mount control box: Securely attach control box on one side of arena. It should be mounted so pulleys on bottom of box are approximately 45 inches from ground. See attached instructions for machines using a mounting bracket.
2. Mount return pulley: Mount off-side return pulley on opposite side of arena in horizontal position. It should also be mounted approximately 45 inches from ground. See attached instructions for machines using a cable tensioner.
3. Install kevlar cable: Have an assistant hold cable in center of arena. Take end of cable attached to slide tube around idler pulley, across arena, around both pulleys on bottom of control box, and back to center. **Be sure the straight slide tube slides freely on the back part of the loop.** Tie opposite end of cable to slide tube and tighten removing as much slack as possible. Tie a knot and cut off extra cable. Keep in mind that the objective is to form a loop with the cable. The slide tube with two snaps supports the cow's head, and the slide tube with one snap (slides freely on back part of loop) supports the cow's shoulder.
4. Install "TECH" line: The tech line is static and supports the cow's hip. A slide tube is pre-installed on this line. Tie one end of tech line to fence as close to control box as possible. There should be no more than 2 – 3 inches between the back part of the loop and the tech line. Tie to fence on opposite side of arena and tighten. Installing tech line close to shoulder line causes the cow to travel flat, stop flat, and turn around smoothly.
5. Install antenna: Remove shipping cap from antenna connector on top of control box. Insert whip antenna into connector, push down, and twist clockwise approximately ¼ turn. You should feel antenna lock into position. *(To remove antenna, squeeze base and twist counter-clockwise)*
6. Apply power: Plug Pro Cutter into grounded 120VAC, 3-prong outlet. Waiting a few minutes before operating allows the climate control system to stabilize temperatures and remove condensation. Always unplug unit when not in use. \*EURO MODELS: 240VAC/50Hz

# OVERHEAD VIEW - COW MODEL

7. Attach cow: Following the included drawing, attach cow to slide tubes on kevlar cable and tech line.



# Pro Cutter Cow models with optional Cable Tensioner

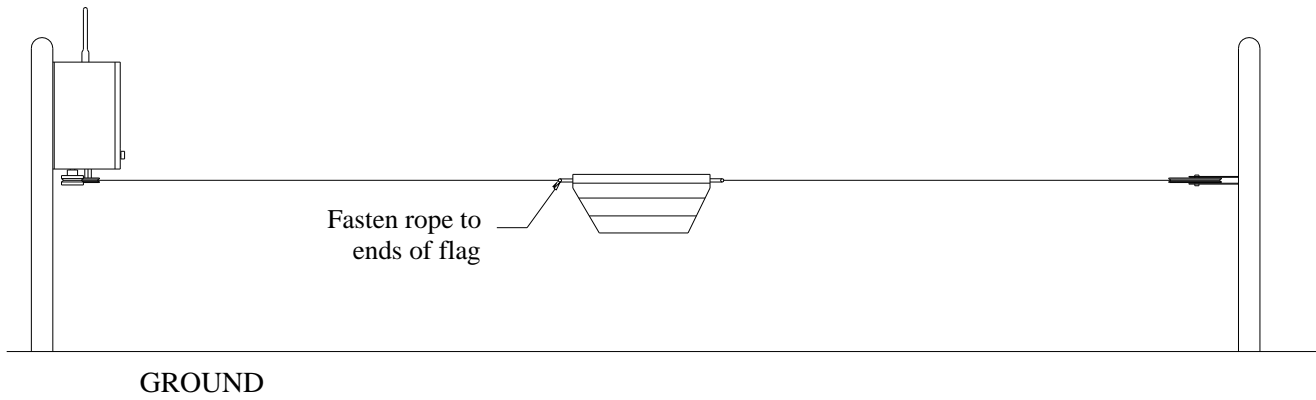


# INSTALLATION INSTRUCTIONS:

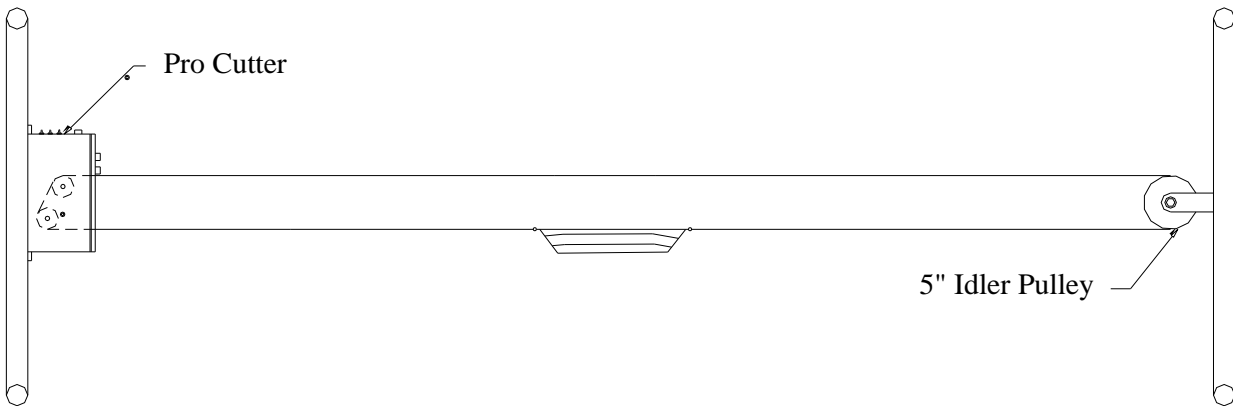
## Flag Model:

1. Mount control box: Securely attach control box on one side of arena. It should be mounted so pulleys on bottom of box are approximately 45 inches from ground. See attached instructions for machines using a mounting bracket.
2. Mount return pulley: Mount off-side return pulley on opposite side of arena in horizontal position. It should also be mounted approximately 45 inches from ground. See attached instructions for machines using a cable tensioner.
3. Install flat-braid rope: To install flat braid rope, start in center of arena. Take one end of rope around off-side pulley, across arena, around both pulleys on bottom of control box, and back to center. Tie one end of rope to left side of flag and other end to right side of flag. Tighten. Cut off extra line.
4. Install antenna: Remove shipping cap from antenna connector on top of control box. Insert whip antenna into connector, push down, and twist clockwise approximately ¼ turn. You should feel antenna lock into position. (*To remove antenna, squeeze base and twist counter-clockwise*)
5. Apply power: Plug Pro Cutter into grounded 120VAC, 3-prong outlet. Waiting a few minutes before operating allows the climate control system to stabilize temperatures and remove condensation. Always unplug unit when not in use. *\*EURO MODELS: 240VAC/50Hz*

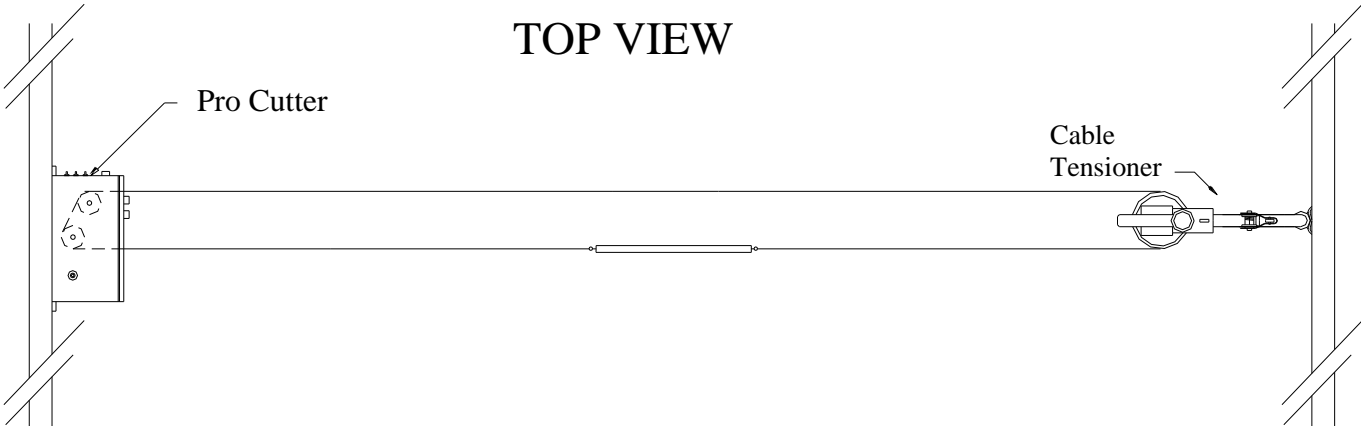
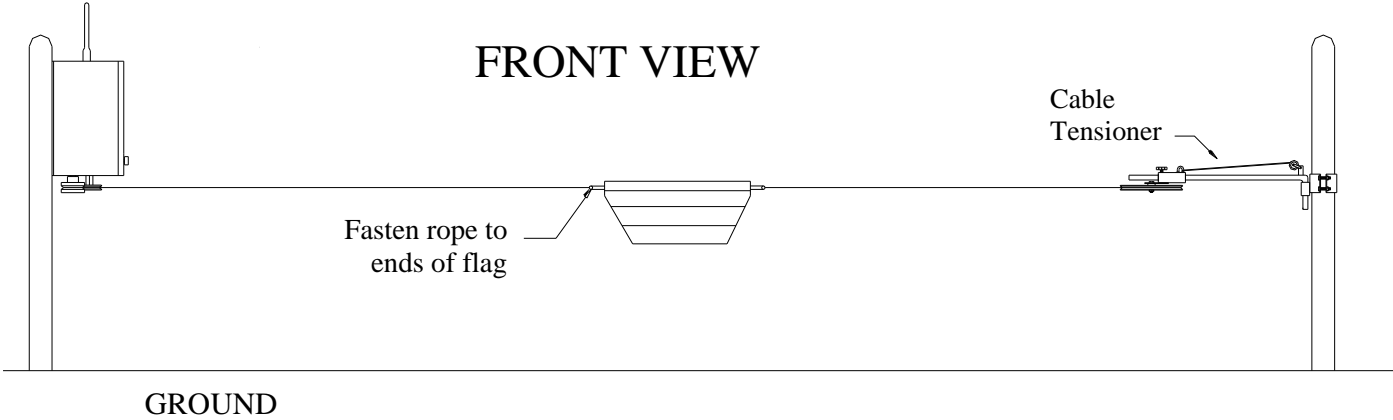
# FRONT VIEW - FLAG MODEL



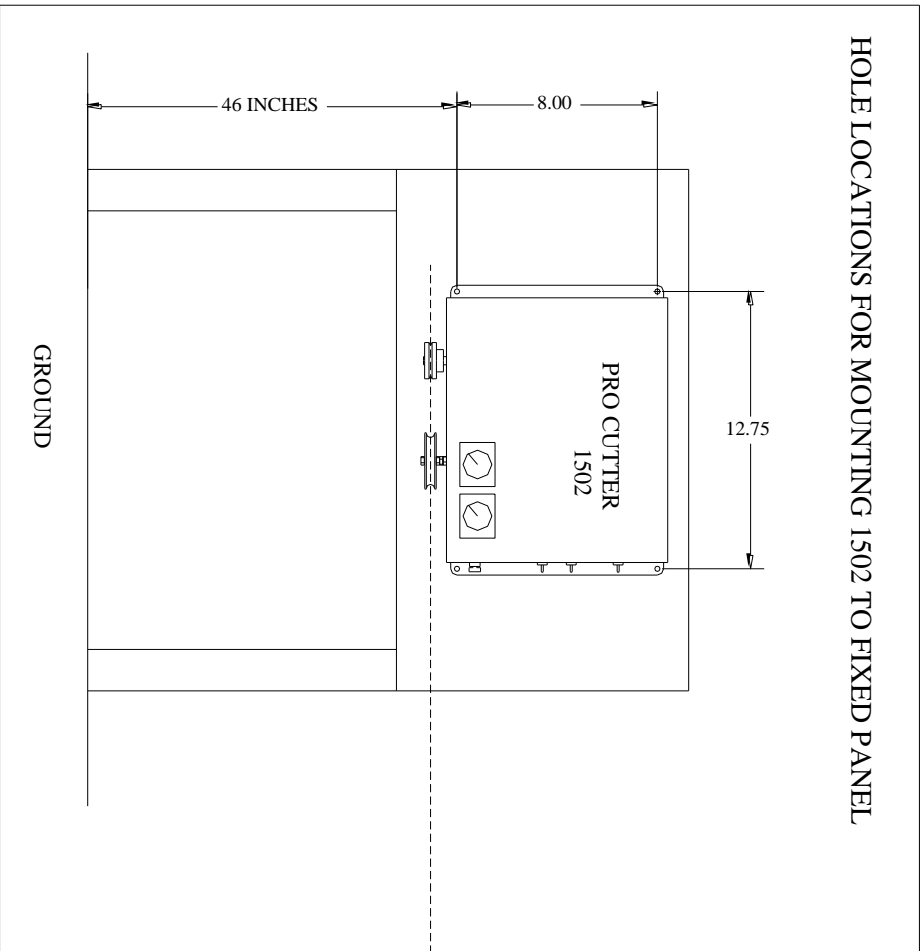
# OVERHEAD VIEW - FLAG MODEL



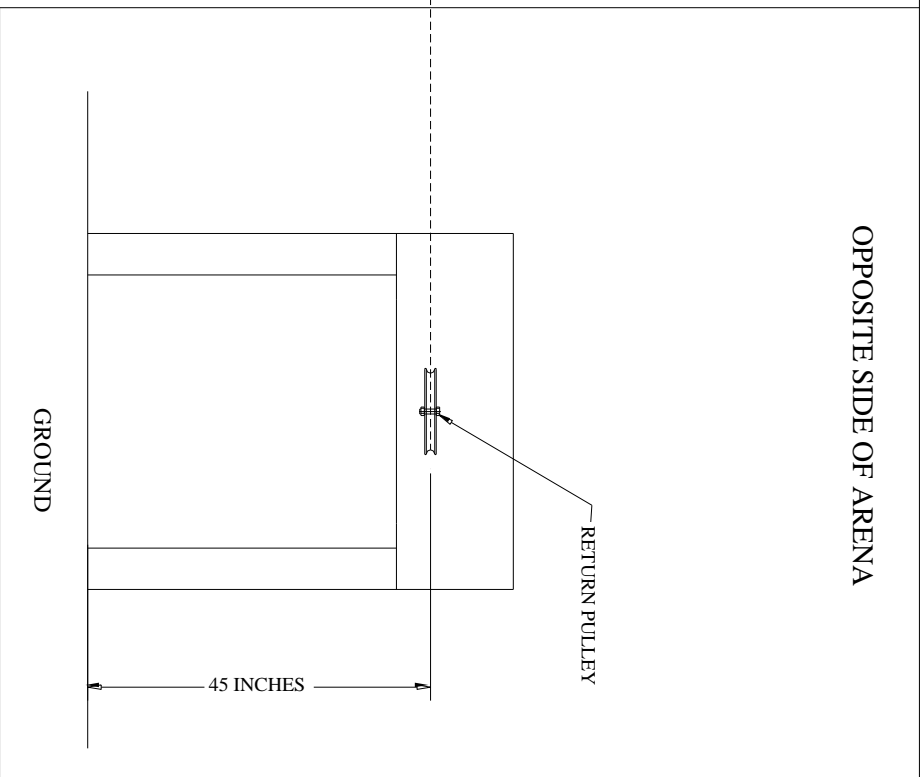
# Pro Cutter Flag models with optional Cable Tensioner



HOLE LOCATIONS FOR MOUNTING 1502 TO FIXED PANEL



OPPOSITE SIDE OF ARENA





# Operating Instructions:

## Following is a brief description of the various switches and dials:

1. **POWER:** Flip POWER switch ON to energize control box. Red POWER light will illuminate. The unit requires 5 seconds to initialize. Avoid pressing any control buttons while unit initializes.
2. **MANUAL:** Operate control box left, right, and change speeds.
3. **LOGIC:** Switch reverses the direction that the cow or flag travels.

*Example:* After the Pro Cutter is installed, attach remote control to your wrist (wrist watch position) and button assembly on index finger. Press left switch with your thumb. If cow or flag travels left, you're ready to go. However, if cow or flag travels right, toggle LOGIC switch. This will cause the cow or flag to travel left as you press left switch – and right as you press right switch.

4. **FUSE:** Power surges, faulty cord, or defective component may cause a fuse to blow. When this happens, remove fuse and replace using only 4 amp/250v AGC fuse, or permanent damage may result.

*NOTE:* power indicator light will not illuminate when fuse is bad.

5. **SPEED DIALS: Front face of control box**

- **SPEED 1:** The left speed dial is the starting speed. When the control box is asked to run using either remote or manual control switches, the cow or flag will begin moving at Speed 1 regardless of direction. To stop, simply release button or switch.
- **SPEED 2:** The right speed dial is second speed. To access Speed 2, begin by pressing a run button on remote or manual control. The cow or flag will begin moving at Speed 1. When traveling at Speed 1, release button and re-press immediately. Control box will shift to Speed 2. Repeat again and control box will de-celerate to Speed 1.

*EXAMPLE:* Set Speed 1 (left dial) to "15", and Speed 2 to "45". When a run button is pressed, the cow or flag will move at SPEED 1. To shift to SPEED 2, start the cow moving at

*SPEED 1, then release and instantly re-press run button. The cow or flag will shift to Speed 2. When traveling in Speed 2, release and instantly press run button. The cow or flag will shift back to Speed 1*

***NOTE:** When you stop, the unit automatically resets to SPEED 1. If the unit fails to change speed when you double click, double-click was not fast enough. User only has 100 milliseconds to cause speed change.*

6. **REMOTE CONTROL:** The remote control can be worn in a variety of ways depending on comfort and convenience. The most common method is to strap the control pouch to your preferred wrist in a wrist watch position. The two run buttons are installed on the side of your index (pointer) finger. The riders thumb is then used to operate the run buttons.
  
7. **PRACTICE:** Attach remote control to your wrist by inserting your hand through Velcro loop on pouch. Attach switch plate to index finger and rotate buttons so they can be pushed by your thumb. Walk to center of arena and practice operating machine. Make any necessary adjustments. Once comfortable with the controls, you are ready to introduce your horse to the Pro Cutter. We recommend working at slow speeds until both horse and rider are acclimated.

---

---

## **ADDITIONAL FEATURES:**

- \* Soft-start acceleration: Progressive acceleration ramp
- \* Superior radio system: Better range, less interference.
- \* Large drive system: Heavy-duty industrial components
- \* Weather-tight NEMA enclosure
- \* Climate control system
- \* Dynamic braking

---

---

**Thank you for choosing.....**

# **SHOW PRO INDUSTRIES**

P.O. Box 1235, Springtown, TX 76082 / (817)523-4055 / (817)220-5117 fax  
email: [showpro@flash.net](mailto:showpro@flash.net) / [www.procutter.com](http://www.procutter.com)

# IMPORTANT SAFEGUARDS

1. Electrical enclosure (control box) should be protected with a non-metal roof or shield. This not only protects the paint finish but also keeps rubber components (gasket, boots, antenna, etc.) from drying out.
2. **Warning:** Electric shock or malfunction could occur if power cord or plug is damaged in any way. Do not work Pro Cutter in rain – or allow cord or plug to lie in water
3. Always use properly grounded 120VAC electrical outlet.
4. Do not operate Pro Cutter if control box, or any of its components are damaged in any way, or after malfunction.
5. Use Pro Cutter only as intended and described in literature.
6. Always unplug Pro Cutter when through working each day.
7. Do not allow flag to run into ends, or damage may occur to electronics, rope, or both.

# TROUBLE SHOOTING

## Problem:

1. Pro Cutter will not operate using remote control or manual switch.

## Solution:

Make sure there is power to machine. Check 4A fuse.

- 
2. Pro Cutter will operate using manual switch but not remote control.

Check battery in remote control. Be sure antenna & receptacle aren't damaged.

- 
3. There's a "clicking" noise but Pro Cutter won't run.

Fuse may be blown or a more serious problem exists. Contact Show Pro Industries.

---

**NOTE:** The remote control, worn on the rider's wrist, has a 9-volt battery in the plastic case inside the pouch. *The battery must be changed on a regular basis.* The first sign that a battery may be failing is when the flag or cow starts hesitating or "missing" going one direction. The natural tendency is to press harder on the switch, twist the cable leading to the switches, or tap the remote control, all of which may result in damage. Avoid these conditions and **replace battery at first sign of intermittent operation.** Remote control should always be stored indoors.

**NOTE:** The antenna or rubber cap must be securely fastened to receptacle on top of control box **at all times.** If the antenna or antenna cap is removed or damaged, water can enter the control box resulting in severe damage to electronics.

# LIMITED WARRANTY

The following warranty is in lieu of all other warranties, expressed, implied or statutory, including but not limited to any implied warranty of merchantability or fitness for a particular purpose.

**All new products sold by Show Pro Industries are warranted against defects in material and workmanship for two (2) years from the date of original purchase. During the warranty period, Show Pro Industries will repair, or at its option replace without charge, any SPI product (excluding normal wear items), providing it is returned to the factory, shipping prepaid, and is proven to be defective during the subsequent factory inspection. The warranty period for products repaired after expiration of new product warranty, as stated above, is limited to the repair portion and is valid for 90 days from date of reshipment to customer. All warranties, expressed or implied, are void if product is damaged by accident, misuse or modification in the absence of written authority from Show Pro Industries.**

---

---

## SHOW PRO INDUSTRIES

P.O. Box 1235, Springtown, TX 76082 / (817)523-4055 / (817)220-5117 fax  
email: [showpro@flash.net](mailto:showpro@flash.net) / [www.procutter.com](http://www.procutter.com)